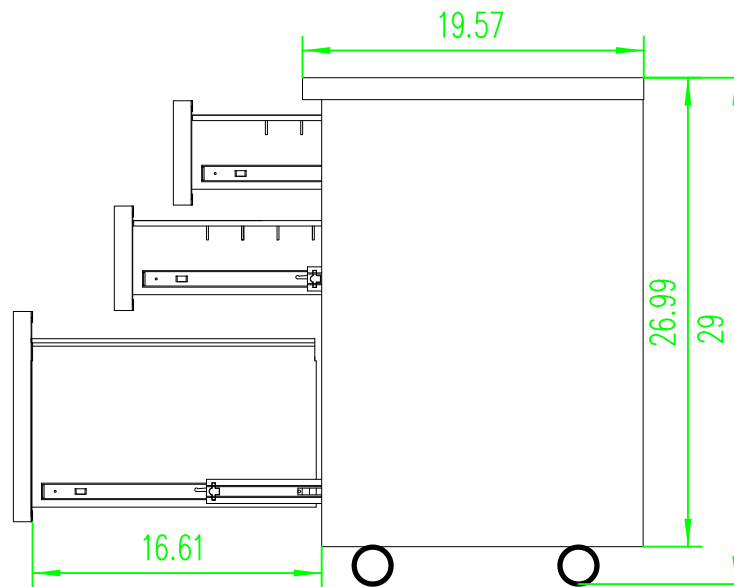
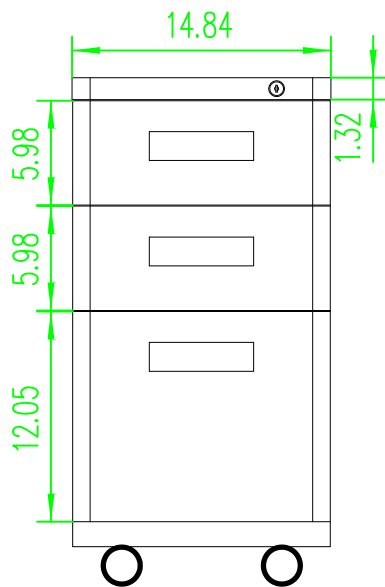


- ◎ Heavy Gauge Steel Structure.
- ◎ Three Step Ball Bearing Suspension.
- ◎ Anti-tilt Counterweight.
- ◎ Removable Lock Core.
- ◎ Powder Coating: 40u-80u.



BBF-SP-MP

**HMU, LLC**

Mobile Pedestal

Thickness

Weight  
72.75 lb

File Name  
BBF-SP-MP

Date  
2007/08/01

Edition  
101

Scale  
2.5:1

Unit  
Inch