

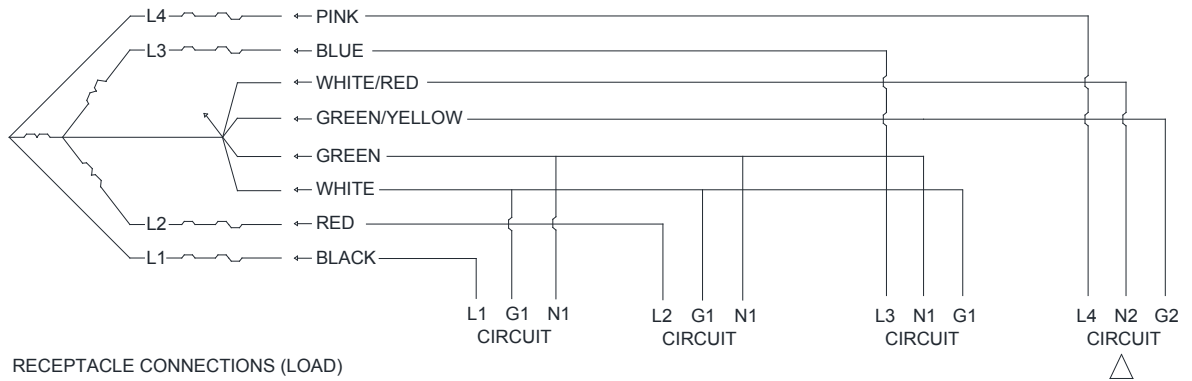
Version 2 Power  
OPS Part #PEK4-14V2



- White/Pink- Neutral Dedicated
- White/Blk Writing- Neutral Shared
- Green/Yellow- Ground Isolated
- Green- Ground Shared
- Pink- D
- Blue- C
- Red- B
- Black- A

CONNECTION TO A GROUNDED  
THREE-PHASE SYSTEM

RATING: 120/206v, 3-PH WYE, 60 Hz, 20 AMP (CSA 15 AMP) WHITE #1,  
WHITE #2 RATED AT 20 AMP (CSA 26 AMP) MULTIWIRED BRANCH CIRCUIT



**UNDERSTANDING POWER**

Our powered panels run on an 8 Wire/4 Circuit system. Electrical circuits A, B, C & D are active with alternating current and must be tied to a Ground & a Neutral when powering. D is a dedicated circuit and must have an Isolated Ground and Isolated Neutral to power.

**LEGEND**

- L1 = A Circuit      N1 = Neutral 1
- L2 = B Circuit      N2 = Neutral 2- Heavier Gauge Copper
- L3 = C Circuit      Δ = Dedicated Circuit
- L4 = D Circuit
- G1 = Ground 1
- G2 = Ground 2

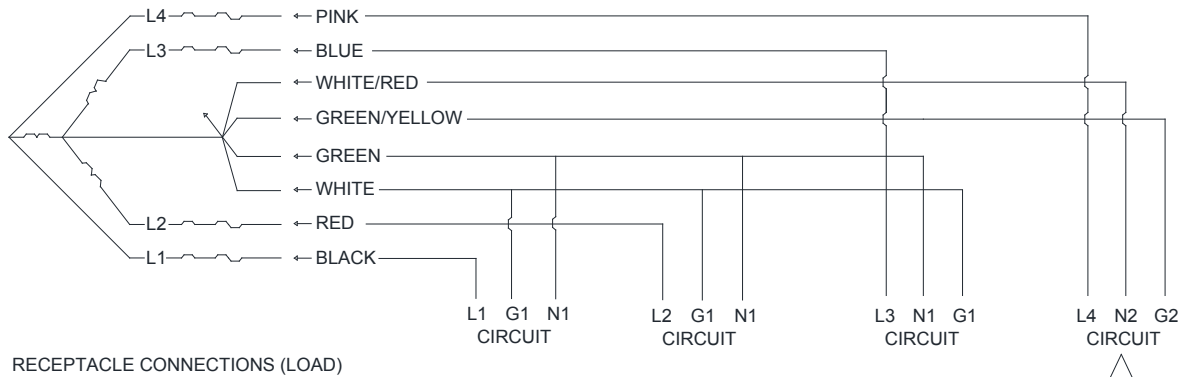
Version 1 Power  
OPS Part #PEK4V1



- White/Pink- Neutral Dedicated
- White/Blk Writing- Neutral Shared
- Green/Yellow- Ground Isolated
- Green- Ground Shared
- Pink- D
- Blue- C
- Red- B
- Black- A

CONNECTION TO A GROUNDED  
THREE-PHASE SYSTEM

RATING: 120/206v, 3-PH WYE, 60 Hz, 20 AMP (CSA 15 AMP) WHITE #1,  
WHITE #2 RATED AT 20 AMP (CSA 26 AMP) MULTIWIRED BRANCH CIRCUIT



**UNDERSTANDING POWER**

Our powered panels run on an 8 Wire/4 Circuit system. Electrical circuits A, B, C & D are active with alternating current and must be tied to a Ground & a Neutral when powering. D is a dedicated circuit and must have an Isolated Ground and Isolated Neutral to power.

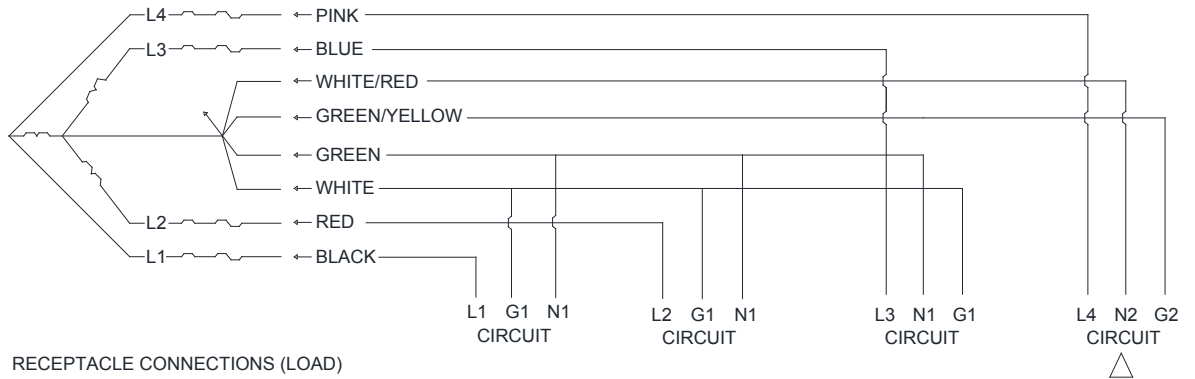
**LEGEND**

- L1 = A Circuit
- L2 = B Circuit
- L3 = C Circuit
- L4 = D Circuit
- G1 = Ground 1
- G2 = Ground 2
- N1 = Neutral 1
- N2 = Neutral 2- Heavier Gauge Copper
- △ = Dedicated Circuit

**Version 1 Power**  
OPS Part #PEK4-14V1

CONNECTION TO A GROUNDED  
THREE-PHASE SYSTEM

RATING: 120/206v, 3-PH WYE, 60 Hz, 20 AMP (CSA 15 AMP) WHITE #1,  
WHITE #2 RATED AT 20 AMP (CSA 26 AMP) MULTIWIRED BRANCH CIRCUIT



RECEPTACLE CONNECTIONS (LOAD)

**UNDERSTANDING POWER**

Our powered panels run on an 8 Wire/4 Circuit system. Electrical circuits A, B, C & D are active with alternating current and must be tied to a Ground & a Neutral when powering. D is a dedicated circuit and must have an Isolated Ground and Isolated Neutral to power.

**LEGEND**

- L1 = A Circuit      N1 = Neutral 1
- L2 = B Circuit      N2 = Neutral 2- Heavier Gauge Copper
- L3 = C Circuit      Δ = Dedicated Circuit
- L4 = D Circuit
- G1 = Ground 1
- G2 = Ground 2