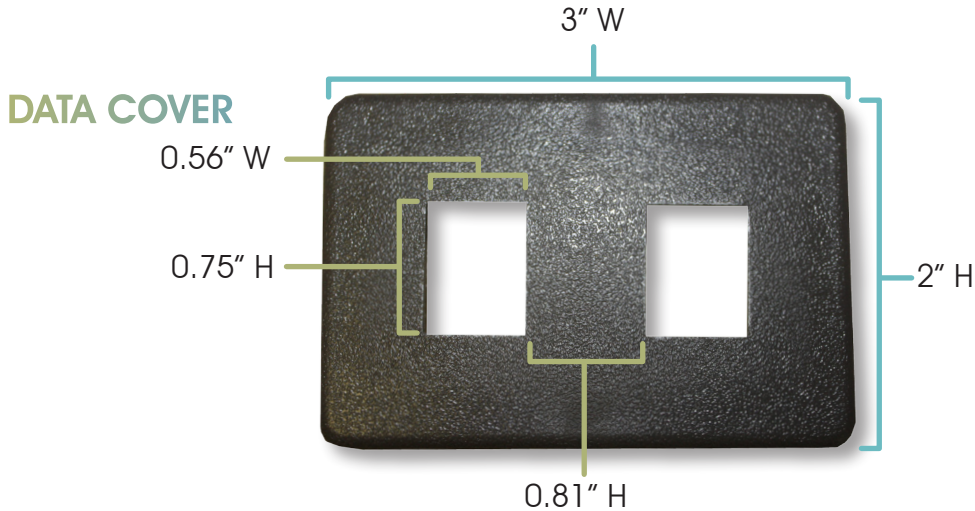
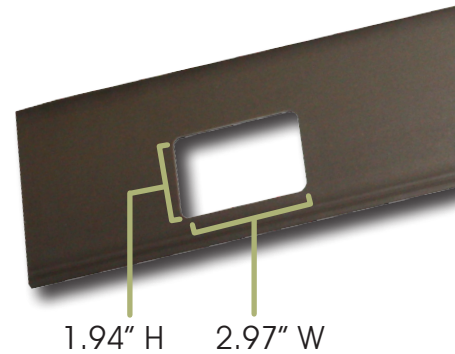


BASE & DATA PUNCH OUTS

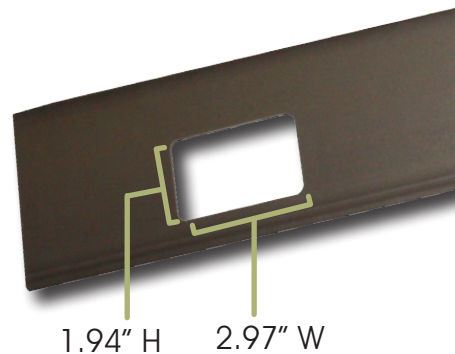
DETAILS AND MEASUREMENTS



V1 POWER WITH DATA PUNCH OUTS



V2 POWER WITH DATA PUNCH OUTS



NOTES:

- Receptacle and data punch outs are the same size.
- OPS does not supply data jacks, just data covers.