

TRAINING TABLE



THE ELEGANT SOLUTION TO STOWABLE WORK STATIONS

*BASE OFFERED AT OUR LOW GRADE 1 DISCOUNT!



FEATURES

FLIPPING TOP FOR EASY STORAGE



- Lift the handle on either side to flip or flatten the table top for easy storage.

PREMIUM CASTERS



- Each caster is designed to lock and roll smoothly across any surface.

STACKABLE DESIGN



- Store the most tables in the least space with the Training Table's staggered leg design.



FINISH OPTIONS:

TOP

Value

Grade 1



WH



Antique White



Folkstone Grey



Hardrock Maple



White Nebula

BASE



WH

Value and **Grade 1** tops are available at our low **Grade 1 discount**. Our full selection of **Grade 2** tops are available at our **Grade 2 Discount**. Visit our website to learn more.

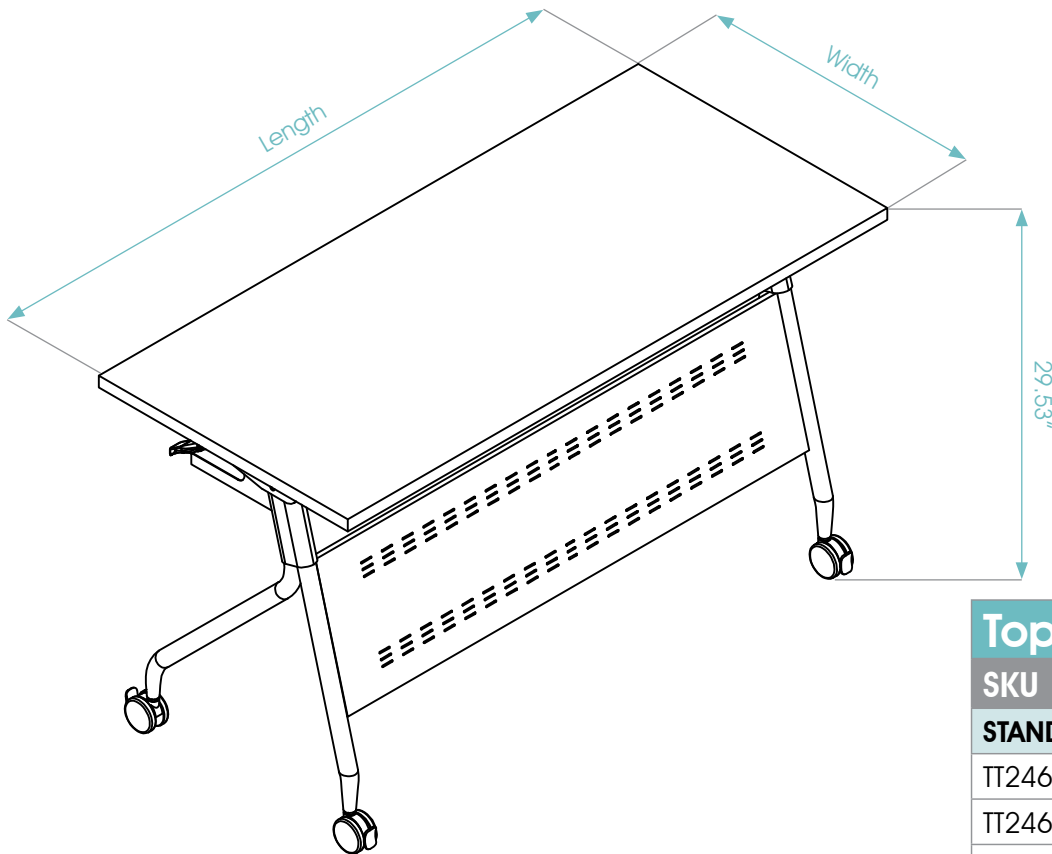
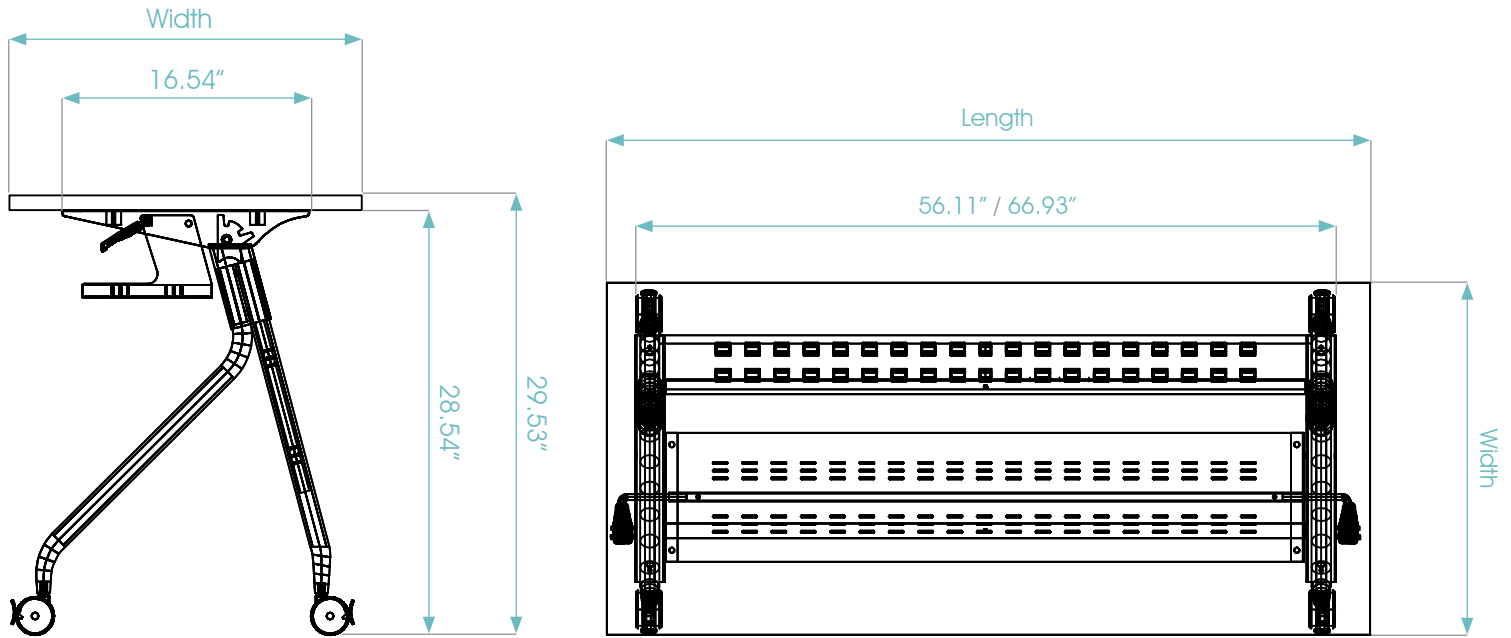
PRICING LIST

SKU	Information	List
FRAMES		
TT-F6020	FOLDING TT 60 X 20-24 FRAME W/ MODESTY & BOOKSHELF, CASTERS	\$750
TT-F7224	FOLDING TT 72 X 24 FRAME W/ MODESTY & BOOKSHELF, CASTERS	\$799
STANDARD TOPS		
AHTT2460	24 X 60 TRAINING TABLE TOP	\$357
AHTT2466	24 X 66 TRAINING TABLE TOP	\$386
AHTT2472	24 X 72 TRAINING TABLE TOP	\$436
VALUE TOPS (WHITE ONLY)		
TT-T5924.W	59 X 24 X 1" VALUE TRAINING TABLE TOP WHITE	\$239
TT-T7124.W	71 X 24 X 1" VALUE TRAINING TABLE TOP WHITE	\$275

TRAINING TABLE

DIMENSIONS

*See chart below for available top dimensions.



Top Dimensions		
SKU	Length	Width
STANDARD TOPS		
TT2460	60	24
TT2466	66	24
TT2472	72	24
VALUE TOPS (WHITE ONLY)		
TT-T5924.W	59	23.62
TT-T7124.W	70.87	23.62