

COUNTER CAPS & BRACKETS

FOR OPS2 PANEL & RAZOR SYSTEMS



Counter caps can be specified on 47H or 39H panels. When specifying counter caps, special brackets are required. Below is an outline of our brackets and their need in any counter installation.

Center Bracket

A Center Bracket (CB) is needed when two counter caps meet at a panel to panel connection.

Mid-End Bracket

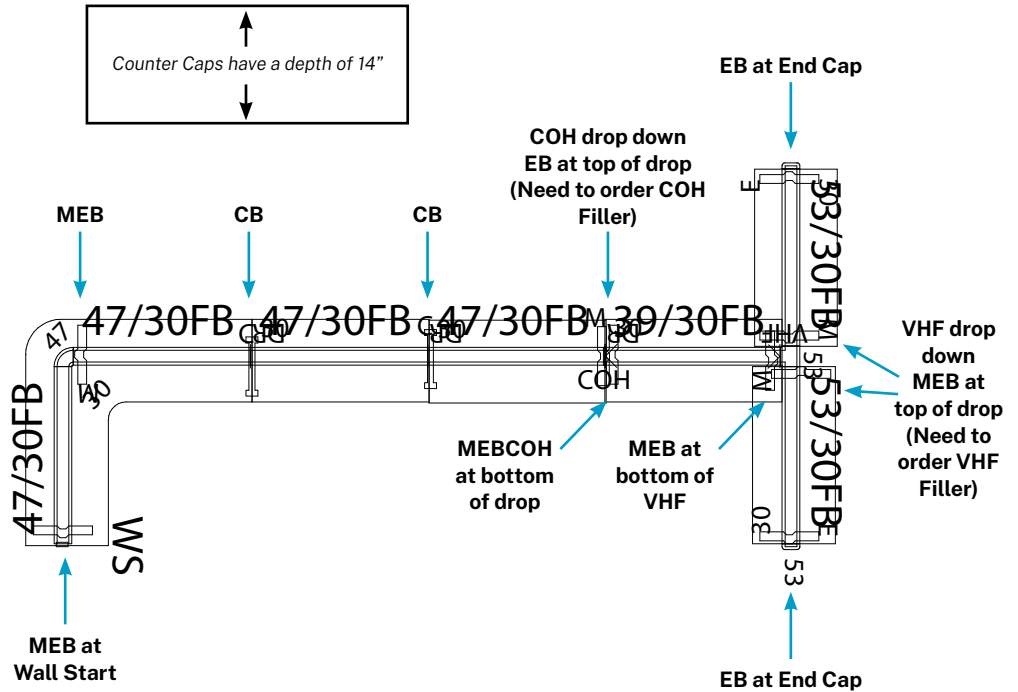
A Mid-End Bracket (MEB) is needed when a counter cap is located at a Wall start, at a post connector or when the counter cap run ends but the panel run does not.

Mid-End Change of Height

A Mid-End Bracket Change of Height (MEBCOH) is needed when you have panel to panel drop down and the counter cap is at the bottom of the drop. (Change of Height (COH) filler not included)

End Bracket

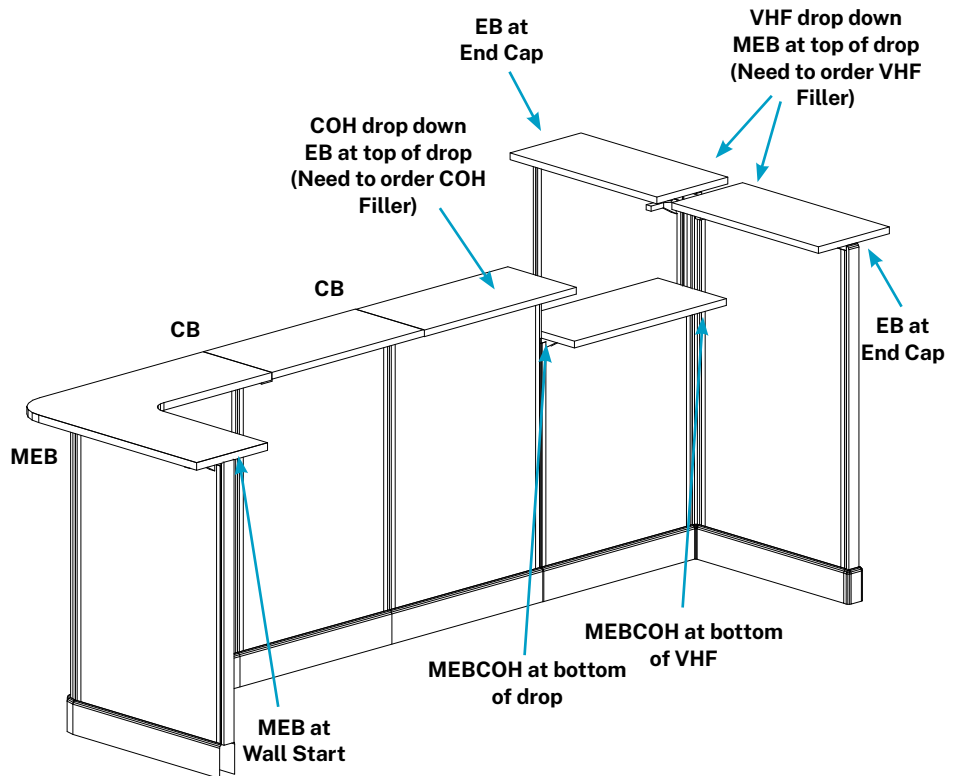
End Brackets (EB) are only used with the end cap on the counter and at the top location of a panel to panel drop down.



Bracket Samples



Mid-End Change of Height Bracket (MEBCOH)
 End Bracket (EB)
 Mid-End Bracket (MEB)
 Center Bracket (CB)



MEBCOH Note: Counter caps installed at a height change must install the finished end cap after the lower counter cap is placed and the end cap must be cut and placed to sit on top of the counter cap.