

STORAGE SPECIFICATIONS

Low Storage, Two Drawer - 30" width



SKU: DS-2D-30-FP-M

Description:

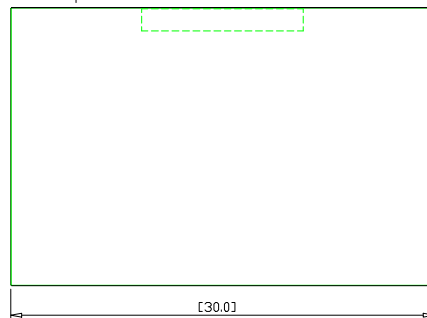
Our metal low storage two drawer files are available in 30", 36", and 42" widths with square legs and a full pull. They include one drawer, one file drawer, lock, and wire management. They come standard with a metal top. An optional laminate top or cushion top is available.

- * Three Step Steel Ball Bearing Suspension
- * Powder Coating 60u~100u.

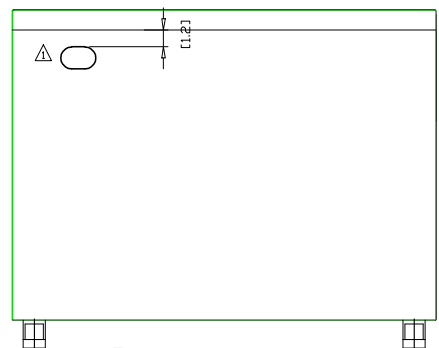
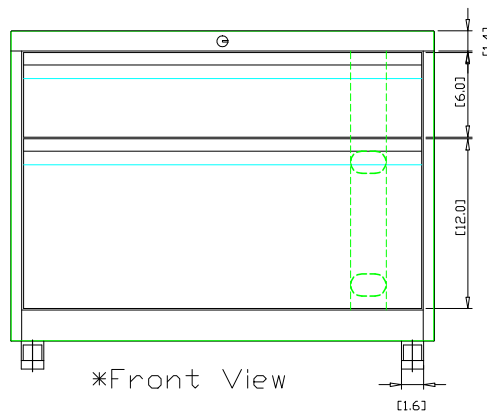
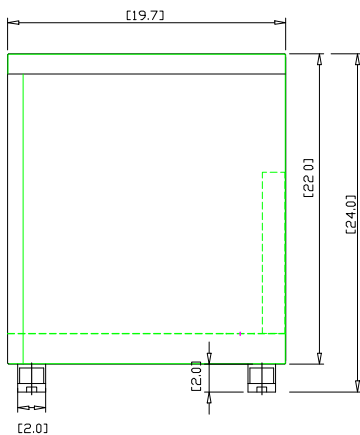
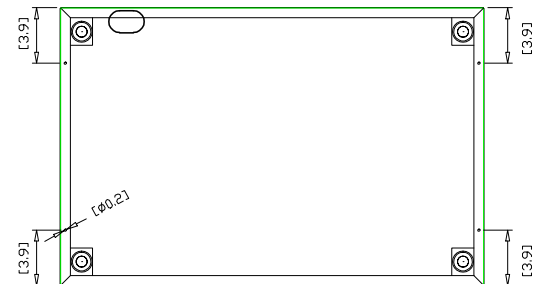


NOTE: Shown with cushion top

*Top View



*Bottom View



STORAGE SPECIFICATIONS

Low Storage, Two Drawer - 36" width



SKU: DS-2D-36-FP-M

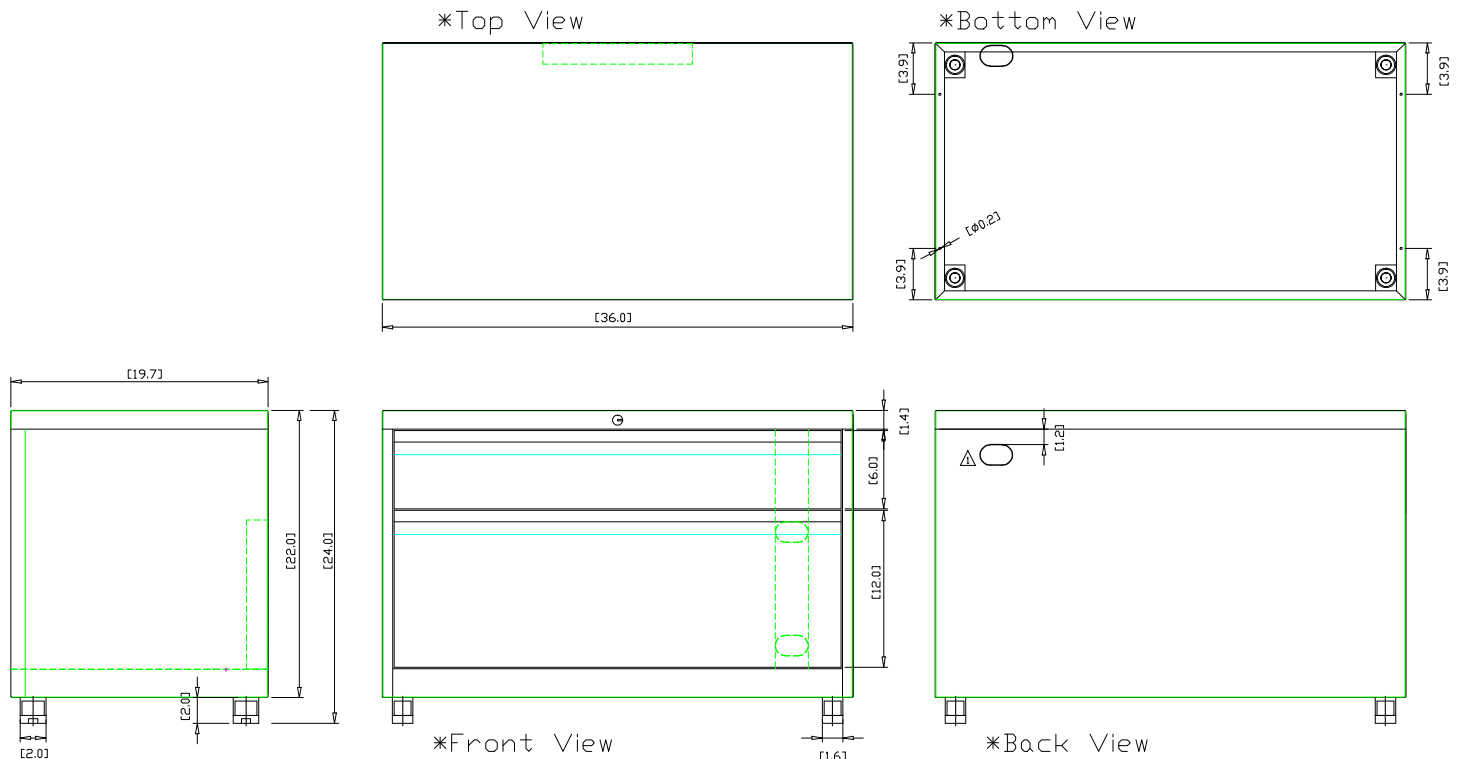
Description:

Our metal low storage two drawer files are available in 30", 36", and 42" widths with square legs and a full pull. They include one drawer, one file drawer, lock, and wire management. They come standard with a metal top. An optional laminate top or cushion top is available.

- * Three Step Steel Ball Bearing Suspension
- * Powder Coating 60u~100u.



NOTE: Shown with cushion top



STORAGE SPECIFICATIONS

Low Storage, Two Drawer - 42" width



SKU: DS-2D-42-FP-M

Description:

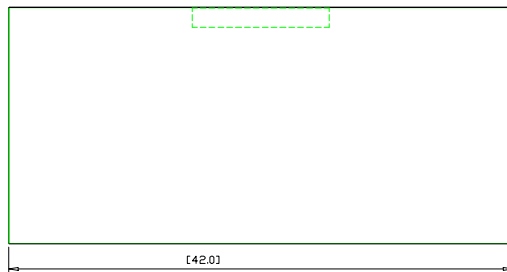
Our metal low storage two drawer files are available in 30", 36", and 42" widths with square legs and a full pull. They include one drawer, one file drawer, lock, and wire management. They come standard with a metal top. An optional laminate top or cushion top is available.

- * Three Step Steel Ball Bearing Suspension
- * Powder Coating 60u~100u.

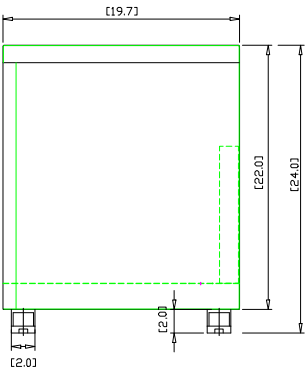


NOTE: Shown with cushion top

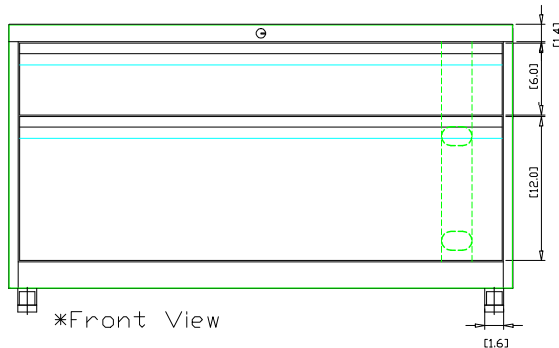
*Top View



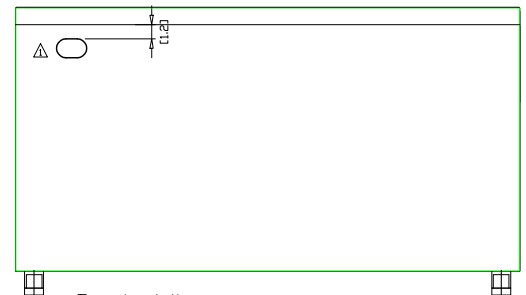
*Bottom View



*Front View



*Back View



STORAGE SPECIFICATIONS

Low Storage, Open Shelf - 30" width



SKU: DS-SH-30-M

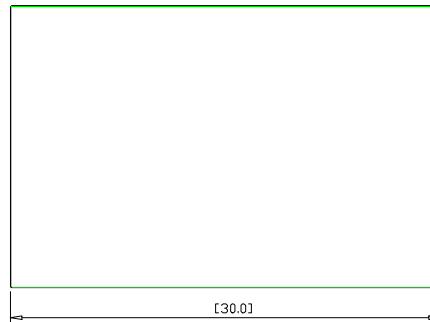
Description:

Our metal low storage open shelves are available in 30", 36", and 42" widths with square legs. They include one shelf and wire management.

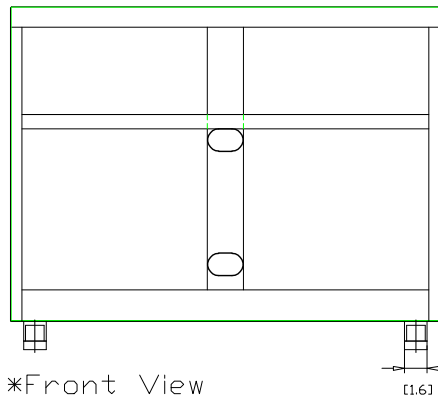
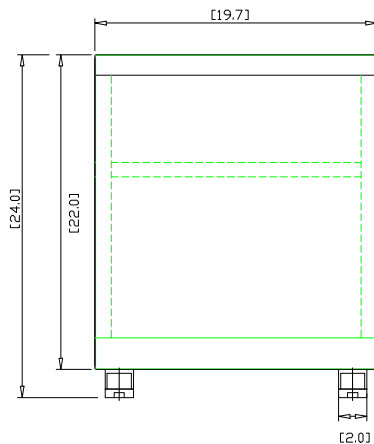
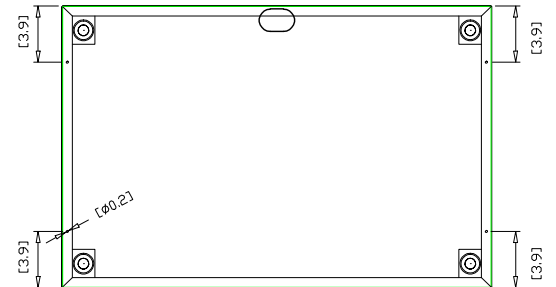
- * Three Step Steel Ball Bearing Suspension
- * Powder Coating 60u~100u.



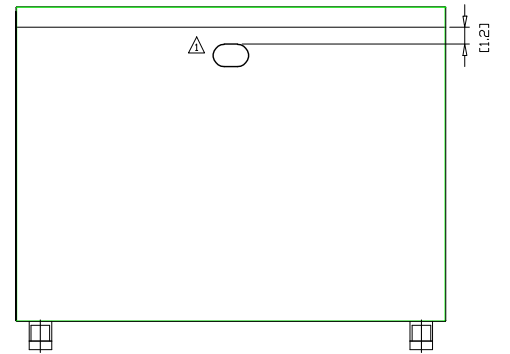
*Top View



*Bottom View



*Front View



*Back View

STORAGE SPECIFICATIONS

Low Storage, Open Shelf - 36" width



SKU: DS-SH-36-M

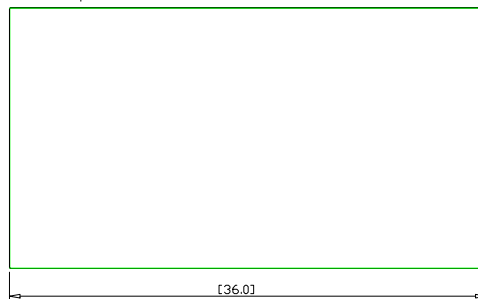
Description:

Our metal low storage open shelves are available in 30", 36", and 42" widths with square legs. They include one shelf and wire management.

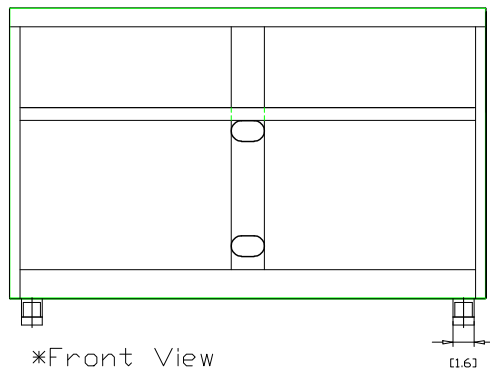
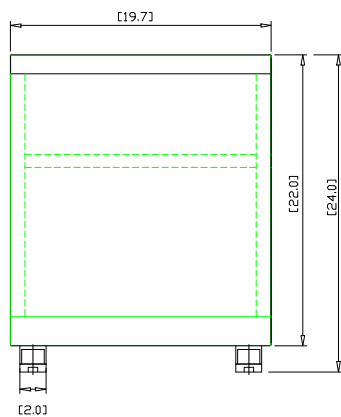
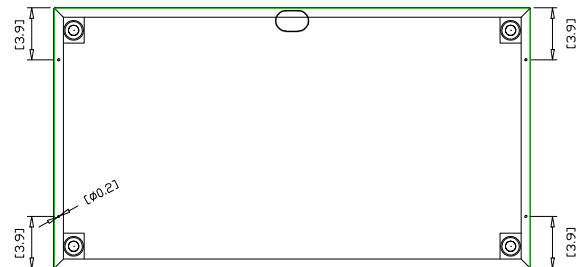
- * Three Step Steel Ball Bearing Suspension
- * Powder Coating 60u~100u.



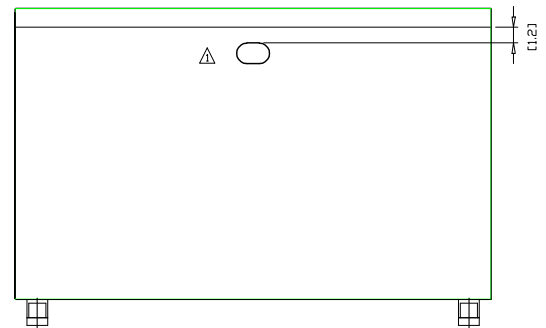
*Top View



*Bottom View



*Front View



*Back View

STORAGE SPECIFICATIONS

Low Storage, Open Shelf - 42" width



SKU: DS-SH-42-M

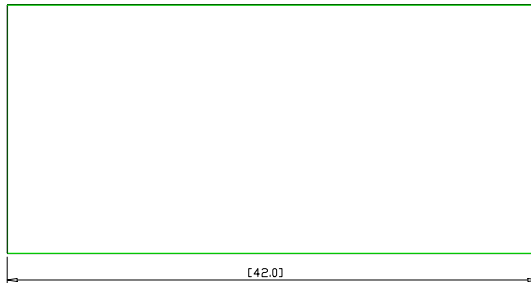
Description:

Our metal low storage open shelves are available in 30", 36", and 42" widths with square legs. They include one shelf and wire management.

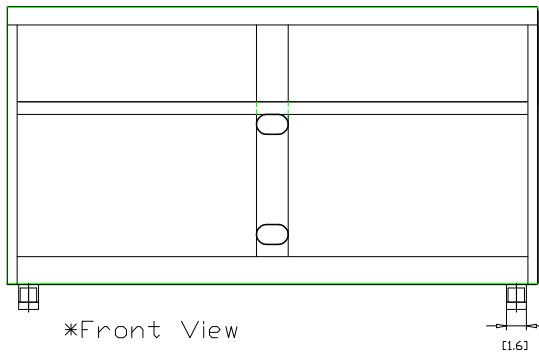
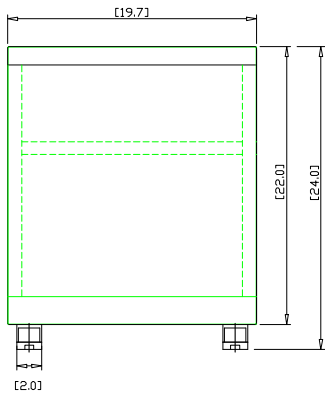
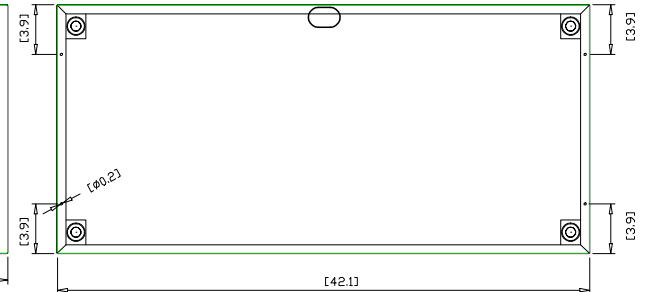
- * Three Step Steel Ball Bearing Suspension
- * Powder Coating 60u~100u.



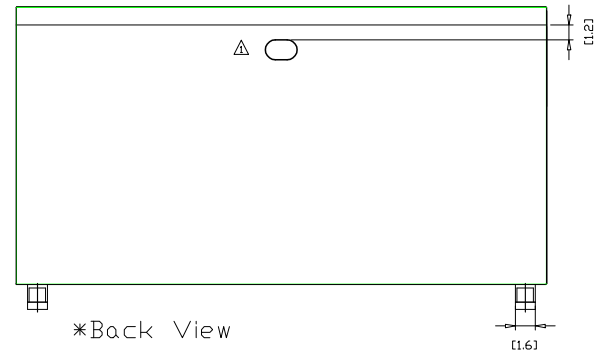
*Top View



*Bottom View



*Front View



*Back View

STORAGE SPECIFICATIONS

Low Storage, Sliding Door - 30" width



SKU: DS-SD-30-M

Description:

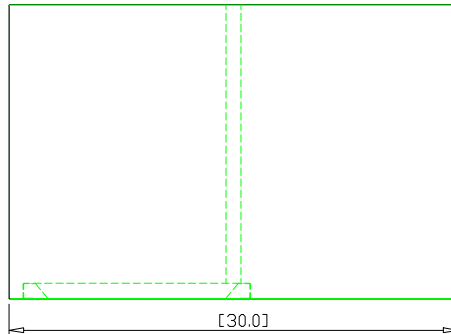
Our metal low storage sliding door is available in 30", 36", and 42" widths with square legs. It also includes wire management. They come standard with a metal top. An optional laminate top or cushion top is available.

- * Three Step Steel Ball Bearing Suspension
- * Powder Coating 60u~100u.

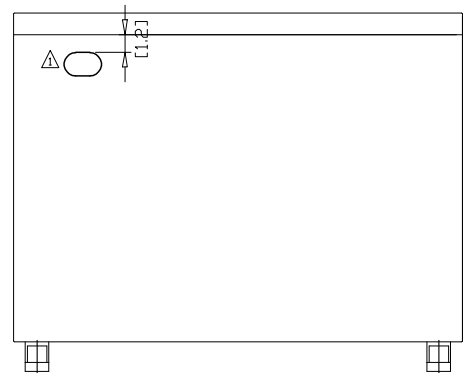
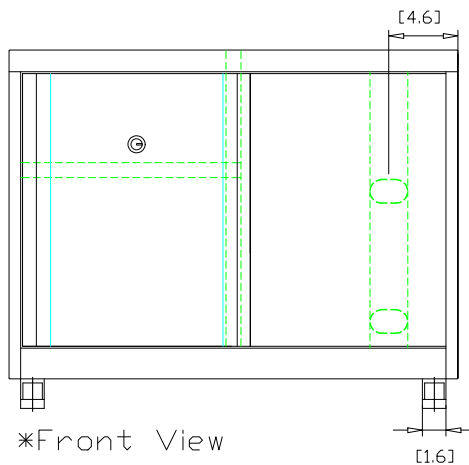
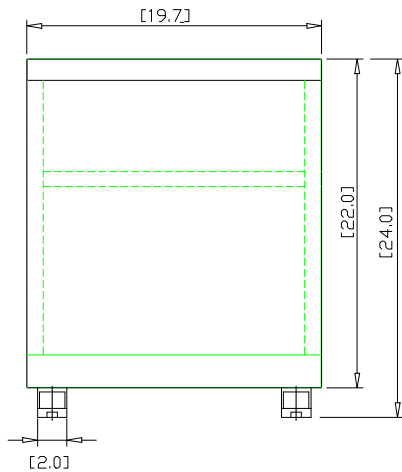
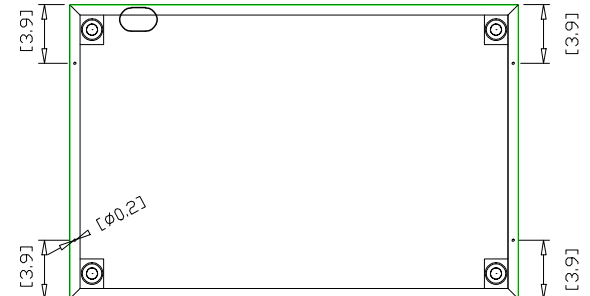


Note: Shown with seat cushion

*Top View



*Bottom View



*Front View

*Back View

STORAGE SPECIFICATIONS

Low Storage, Sliding Door - 36" width



SKU: DS-SD-36-M

Description:

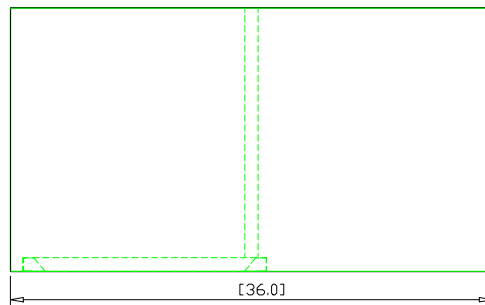
Our metal low storage sliding door is available in 30", 36", and 42" widths with square legs. It also includes wire management.

- * Three Step Steel Ball Bearing Suspension
- * Powder Coating 60u~100u.

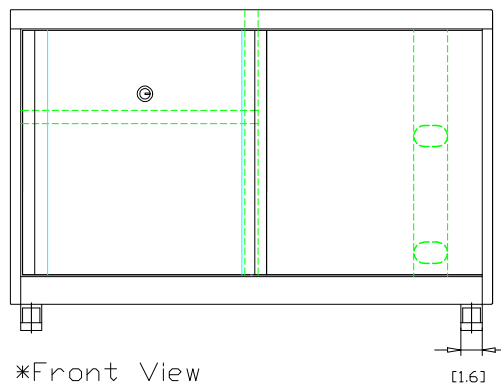
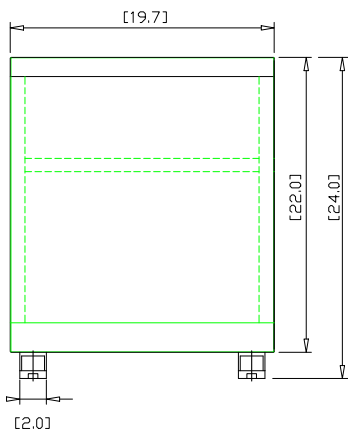


Note: Shown with seat cushion

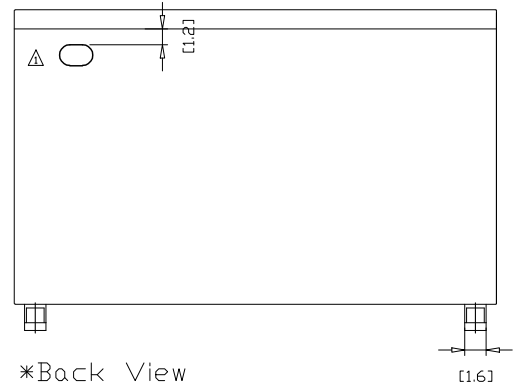
*Top View



*Bottom View



*Front View



*Back View

STORAGE SPECIFICATIONS

Low Storage, Sliding Door - 42" width



SKU: DS-SD-42-M

Description:

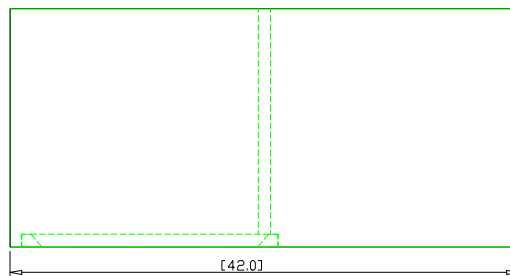
Our metal low storage sliding door is available in 30", 36", and 42" widths with square legs. It also includes wire management.

- * Three Step Steel Ball Bearing Suspension
- * Powder Coating 60u~100u.

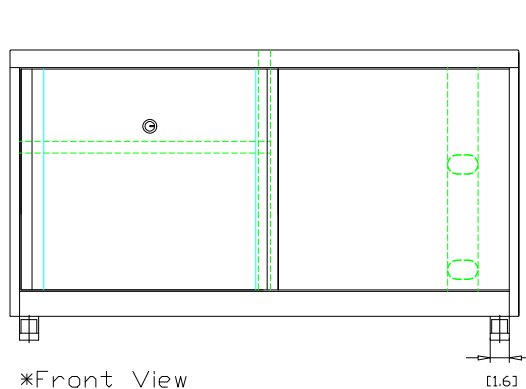
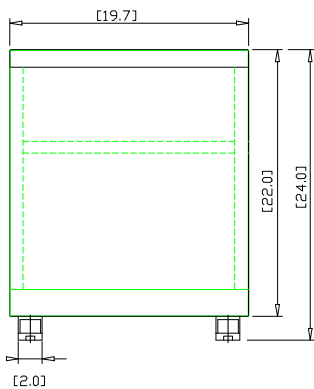
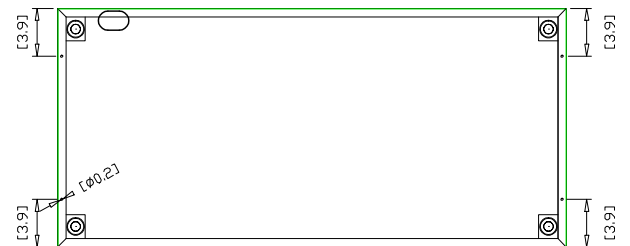


Note: Shown with seat cushion

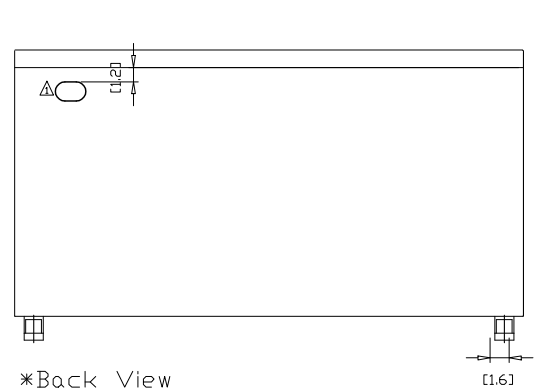
*Top View



*Bottom View



*Front View



*Back View

STORAGE SPECIFICATIONS

Desking Mobile Pedestal

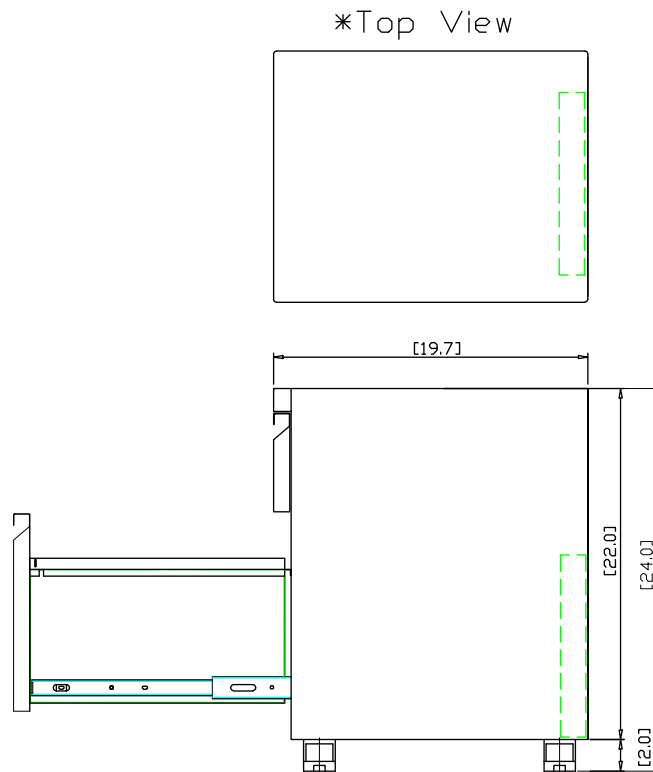
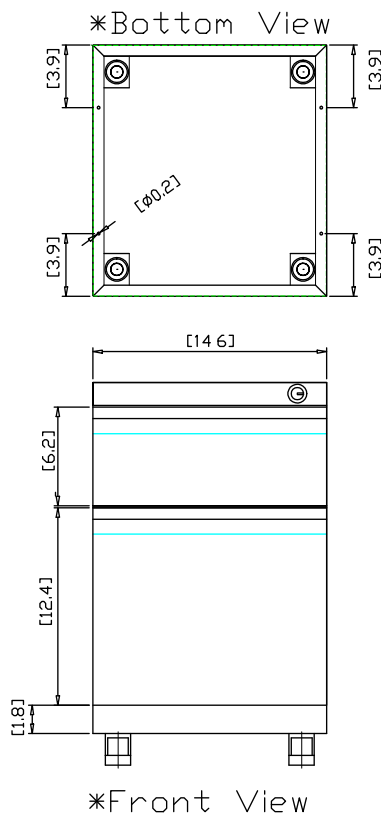


SKU: DS-BF-FP-M

Description:

This box file pedestal comes with a full pull and casters.

- * Three Step Steel Ball Bearing Suspension
- * Powder Coating 60u~100u.



STORAGE SPECIFICATIONS

Wardrobe - 37" Height



SKU: DS-ST-2437-M

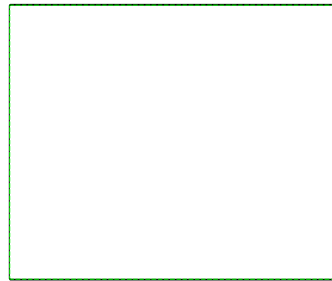
Description:

Our 37" high storage tower comes with a full pull b/b/f and open compartment along with a wardrobe door. It is not handed.

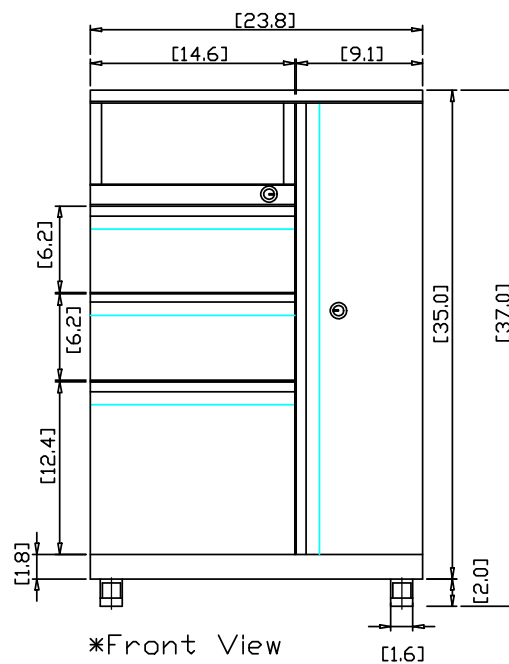
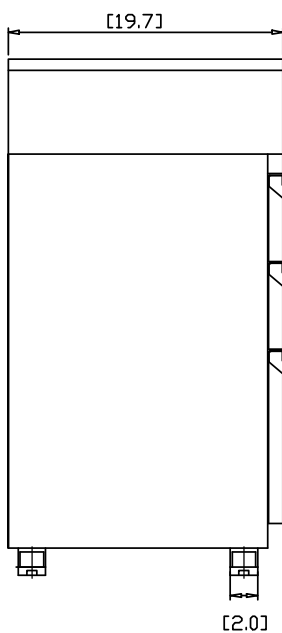
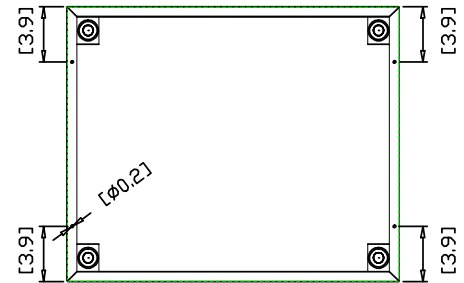
- * Three Step Steel Ball Bearing Suspension
- * Powder Coating 60u~100u.



*Top View



*Bottom View



STORAGE SPECIFICATIONS

Wardrobe, Right - 51" Height



SKU: DS-ST-2451R-M

Description:

Our 51" high storage tower comes with a full pull b/b/f and open shelf along with a wardrobe door.

Left = wardrobe on left

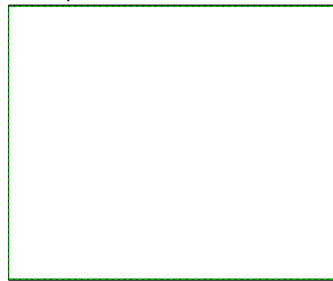
Right = wardrobe on right

* Three Step Steel Ball Bearing Suspension

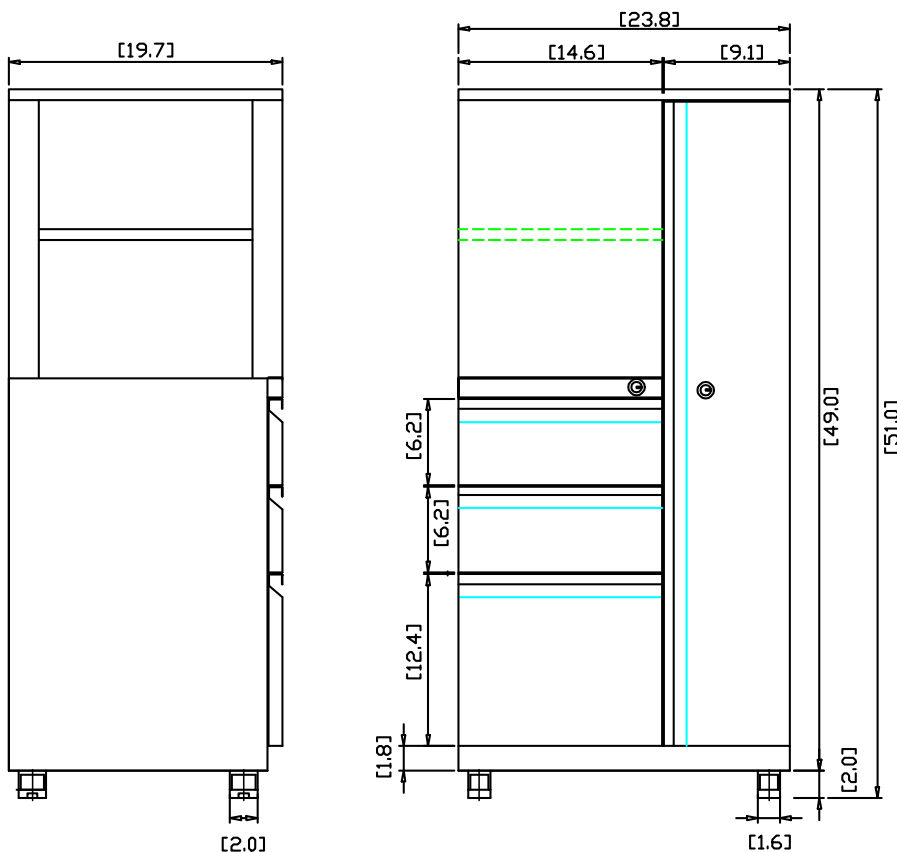
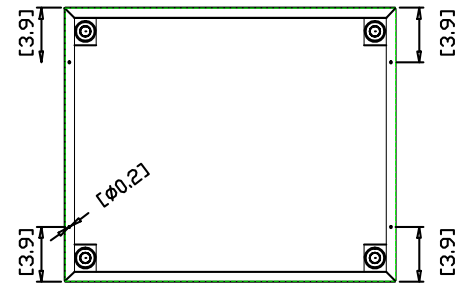
* Powder Coating 60u~100u.



*Top View



*Bottom View



STORAGE SPECIFICATIONS

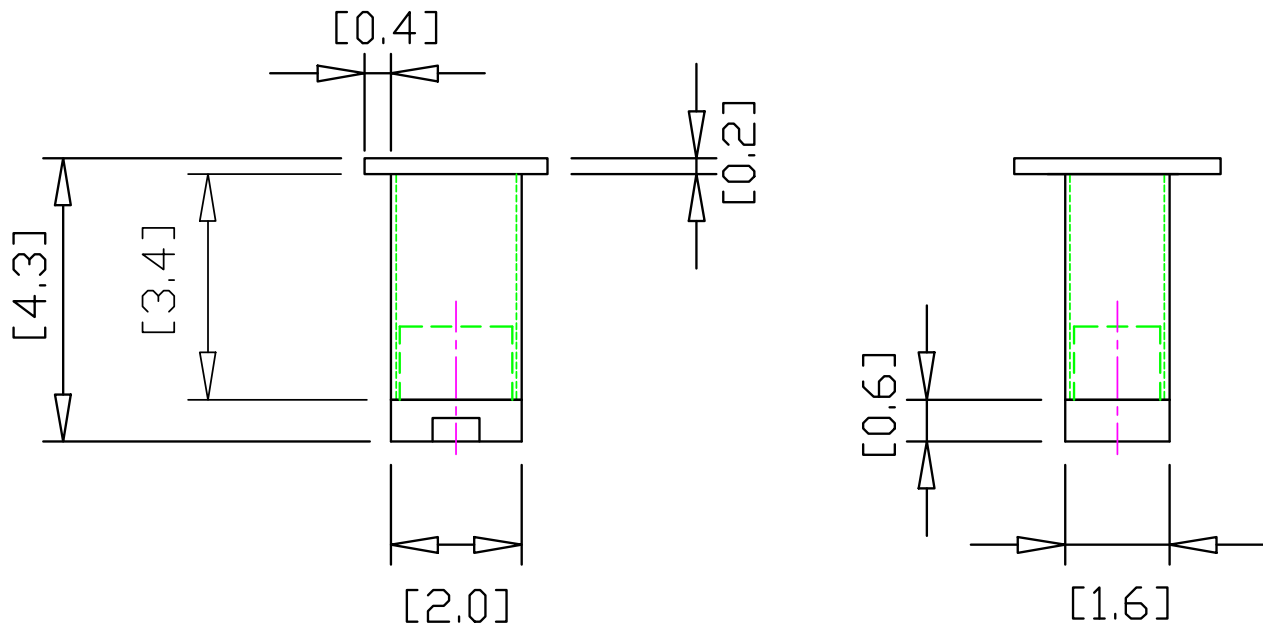
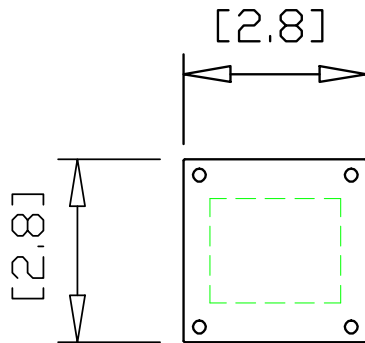
Docking Leg - Extended



SKU: DOCKLEG-E

Description:

Extended Docking Legs are used directly on top of the metal desking low storage unit to support an additional surface. If a laminate top is used on the low storage, a standard docking leg is needed instead of an extended docking leg.



STORAGE SPECIFICATIONS

Docking Leg



SKU: DOCKLEG

Description:

If a laminate top is used on the low storage, a standard docking leg is needed instead of an extended docking leg.

