

STORAGE SPECIFICATIONS

2 Drawer 30" Lateral File: Square Pull



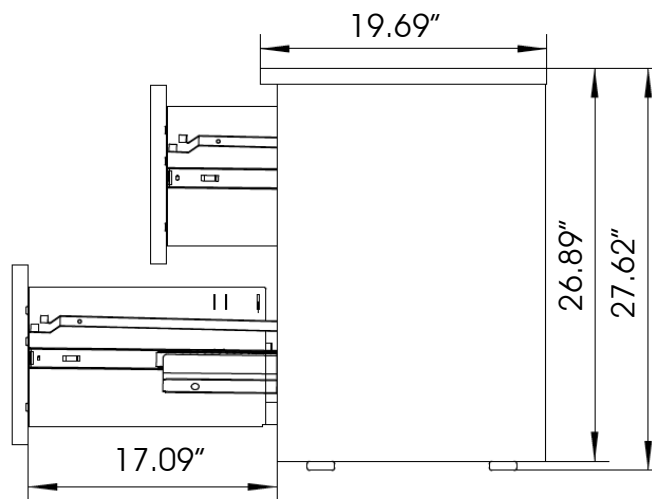
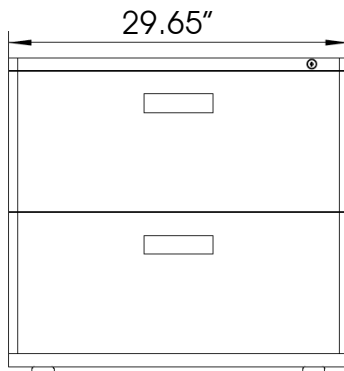
Part Number: LF2-30-SP

Description: 30" Lateral File, Square Pull, 2 Drawer

Weight: 92.59 lb.

Features:

- Heavy Gauge Steel Structure
- Three Step Ball Bearing Suspension
- Anti-tilt Counterweight
- Removable Lock Core
- Powder Coating: 40u-80u



STORAGE SPECIFICATIONS

Lateral Files: 2 Drawer 30" Full Pull

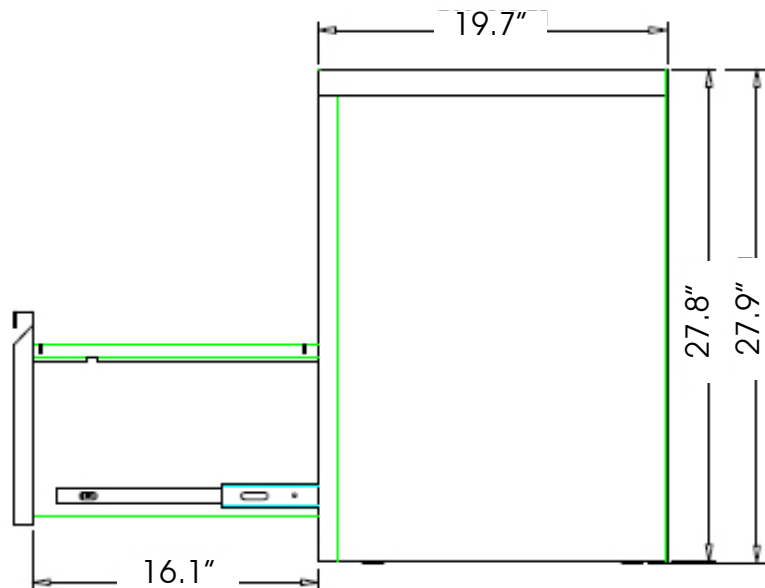
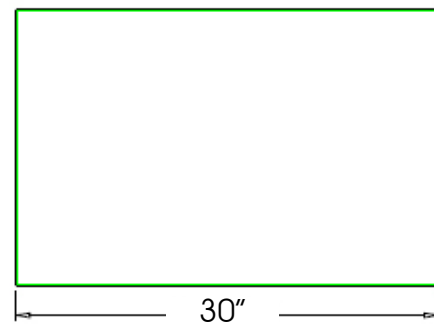
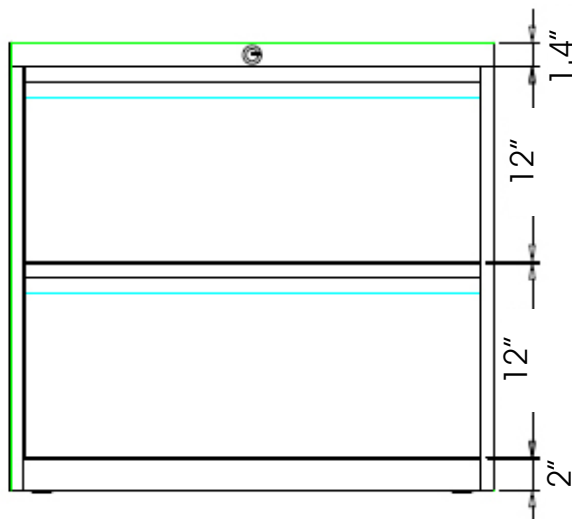


Part Number: LF2-30-FP

Description: 30"W Lateral File, Full Pull, 2 Drawer

Features:

- Three Step Steel Ball Bearing Suspension
- Powder Coating: 40u~80u
- Thickness: 22 Gauge
- Weight limit 165.3 lbs per drawer



STORAGE SPECIFICATIONS

Lateral Files: 2 Drawer 36" Full Pull

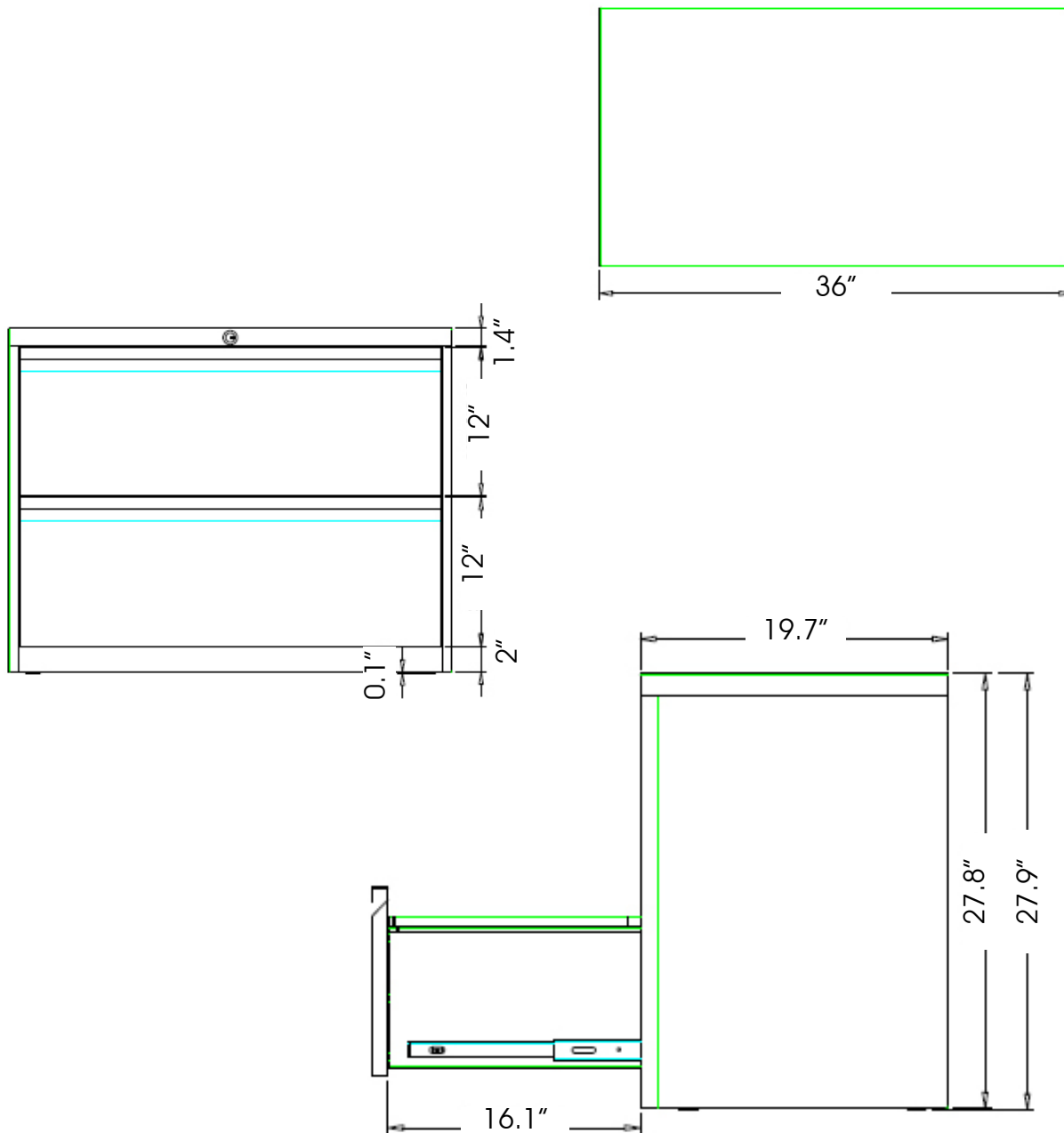


Part Number: LF2-36-FP

Description: 36"W Lateral File, Full Pull, 2 Drawer

Features:

- Three Step Steel Ball Bearing Suspension
- Powder Coating: 40u~80u
- Thickness: 22 Gauge
- Weight Limit 165.3 lbs per drawer



STORAGE SPECIFICATIONS

Lateral Files: 2 Drawer 42" Full Pull

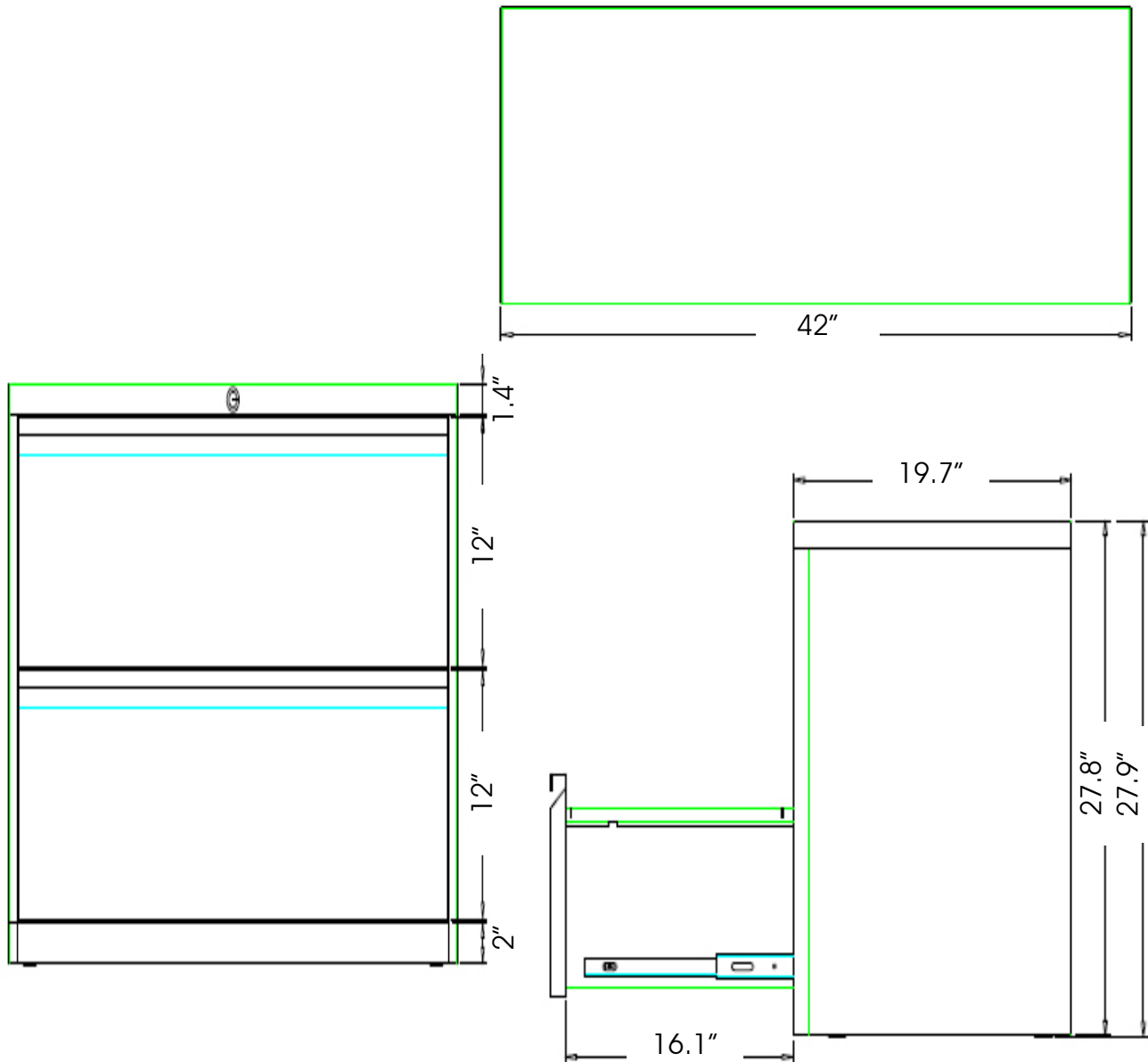


Part Number: LF2-42-FP

Description: 42"W Lateral File, Full Pull, 2 Drawer

Features:

- Three Step Steel Ball Bearing Suspension
- Powder Coating: 40u~80u
- Thickness: 22 Gauge
- Weight Limit 165.3 lbs per drawer



STORAGE SPECIFICATIONS

Lateral Files: 3 Drawer 30" Full Pull

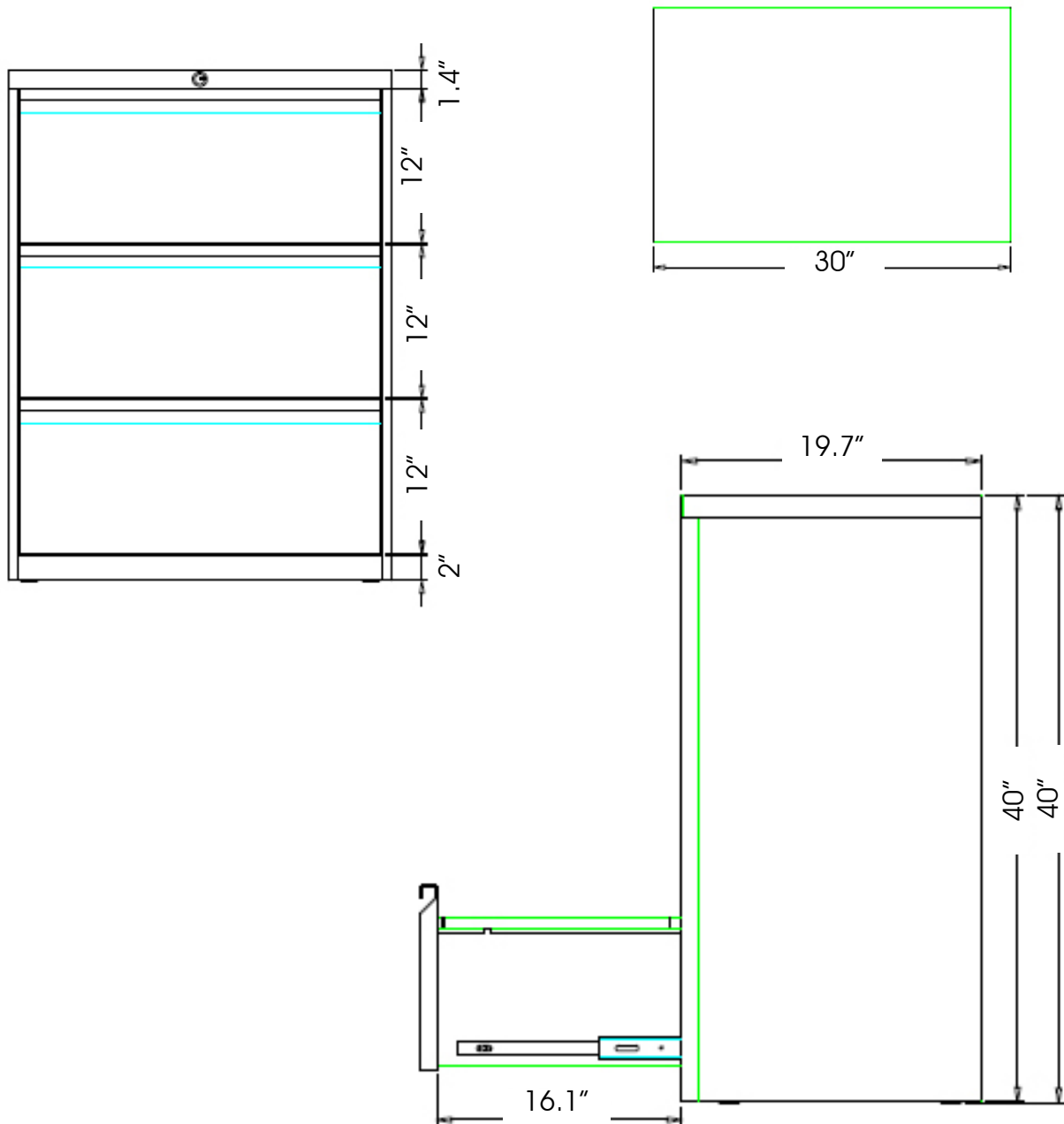


Part Number: LF3-30-FP

Description: 30"W Lateral File, Full Pull, 3 Drawer

Features:

- Three Step Steel Ball Bearing Suspension
- Powder Coating: 40u~80u
- Thickness: 22 Gauge
- Weight Limit 165.3 lbs per drawer



STORAGE SPECIFICATIONS

Lateral Files: 3 Drawer 36" Full Pull

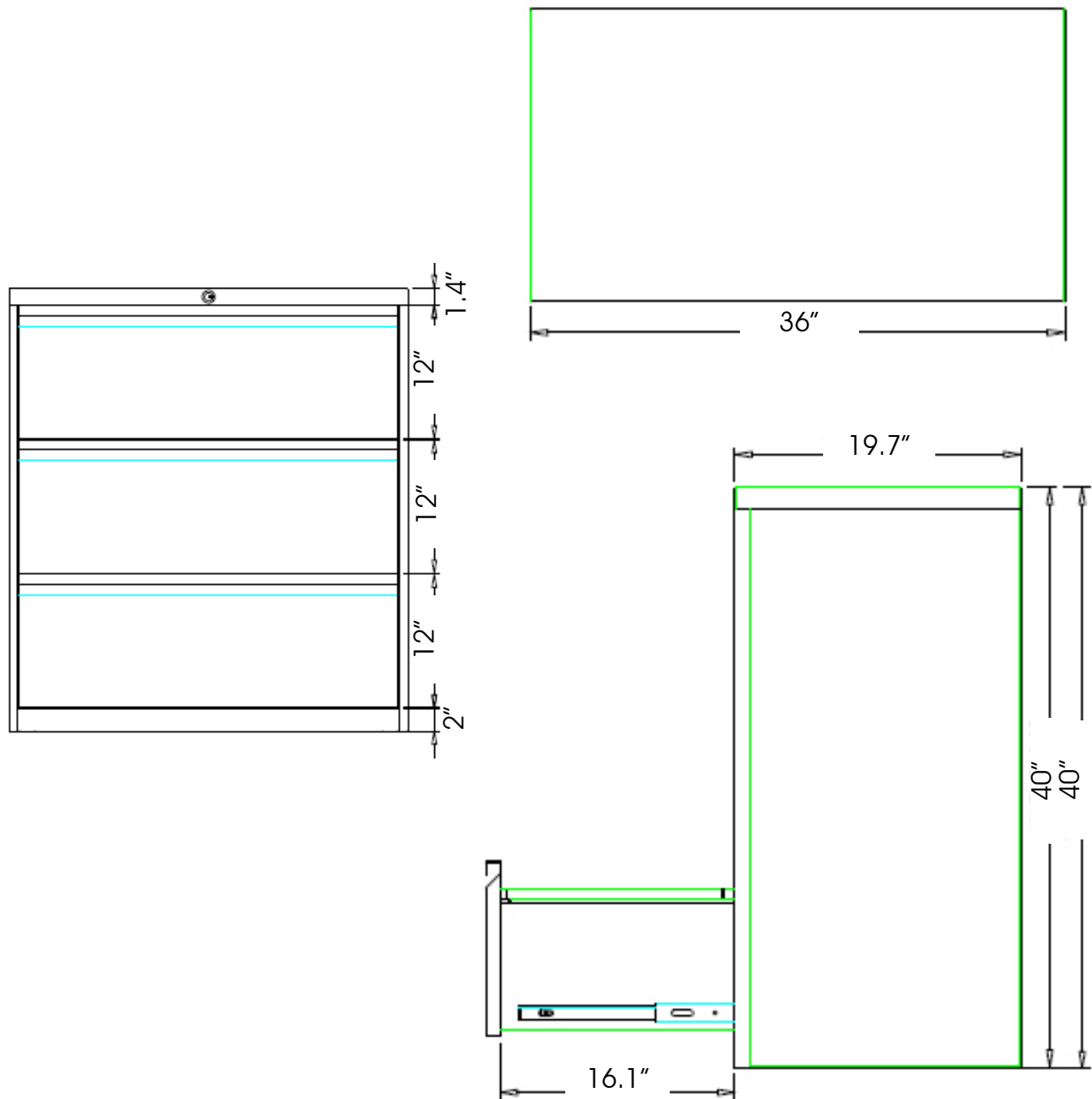


Part Number: LF3-36-FP

Description: 36"W Lateral File, Full Pull, 3 Drawer

Features:

- Three Step Steel Ball Bearing Suspension
- Powder Coating: 40u~80u
- Thickness: 22 Gauge
- Weight Limit 165.3 lbs per drawer



STORAGE SPECIFICATIONS

Lateral Files: 3 Drawer 42" Full Pull

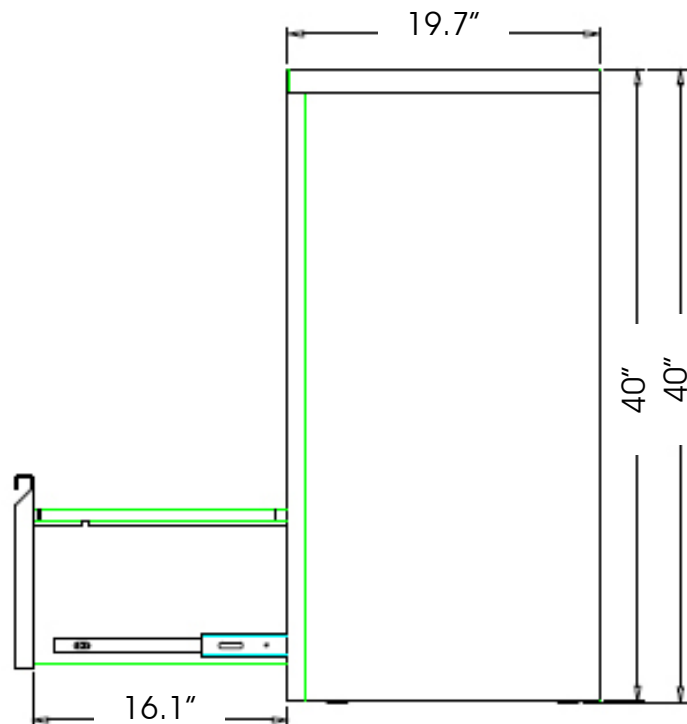
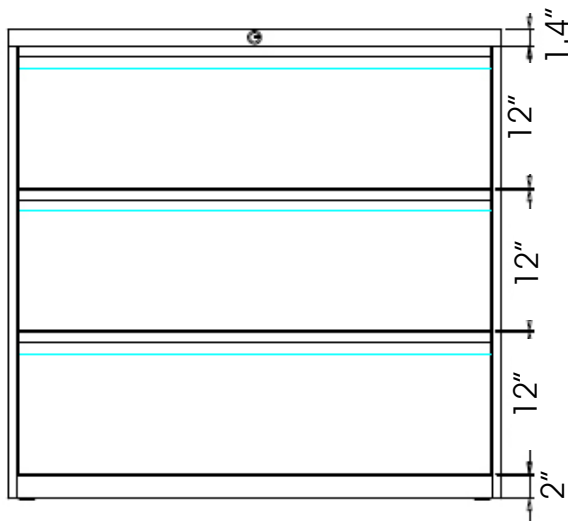
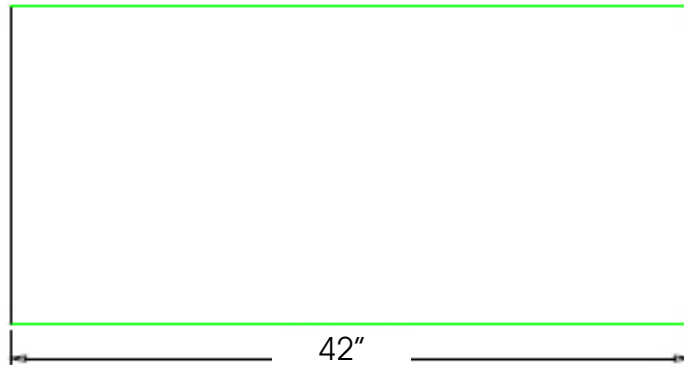


Part Number: LF3-42-FP

Description: 42"W Lateral File, Full Pull, 3 Drawer

Features:

- Three Step Steel Ball Bearing Suspension
- Powder Coating: 40u~80u
- Thickness: 22 Gauge
- Weight Limit 165.3 lbs per drawer



STORAGE SPECIFICATIONS

Lateral Files: 4 Drawer 30" Full Pull

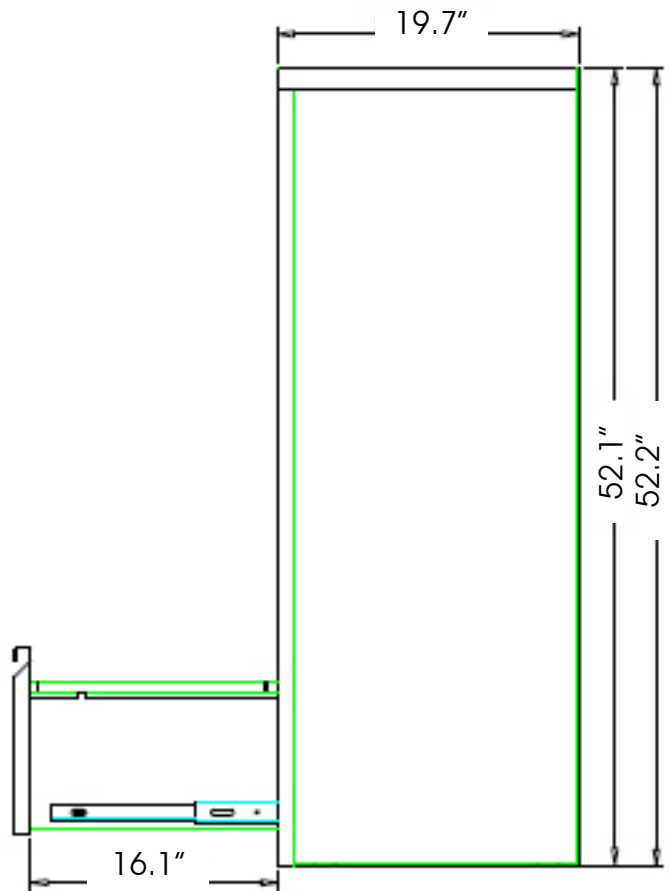
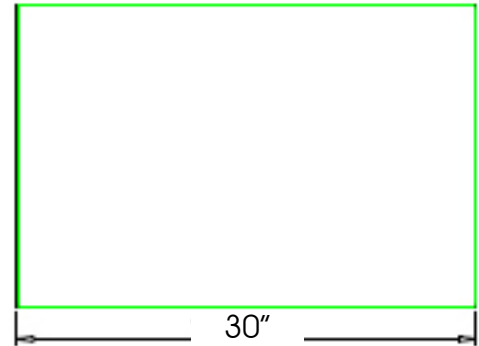
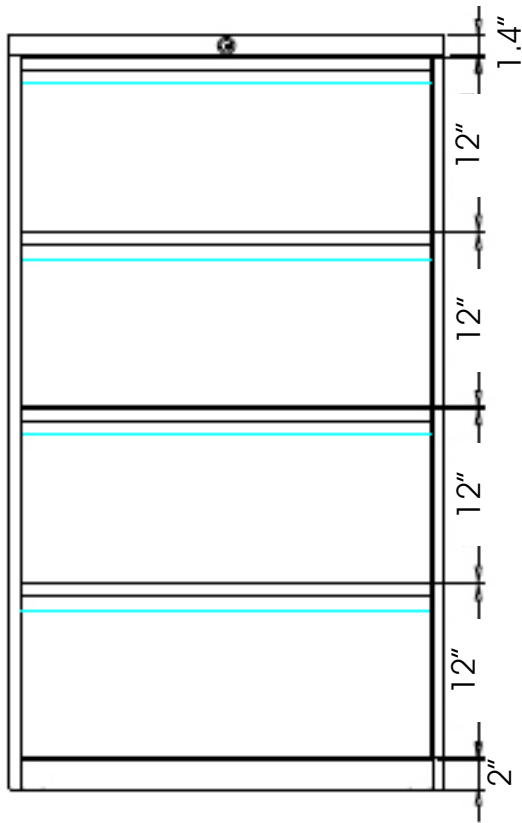


Part Number: LF4-30-FP

Description: 30"W Lateral File, Full Pull, 4 Drawer

Features:

- Three Step Steel Ball Bearing Suspension
- Powder Coating: 40u~80u
- Thickness: 22 Gauge
- Weight Limit 165.3 lbs per drawer



STORAGE SPECIFICATIONS

Lateral Files: 4 Drawer 36" Full Pull

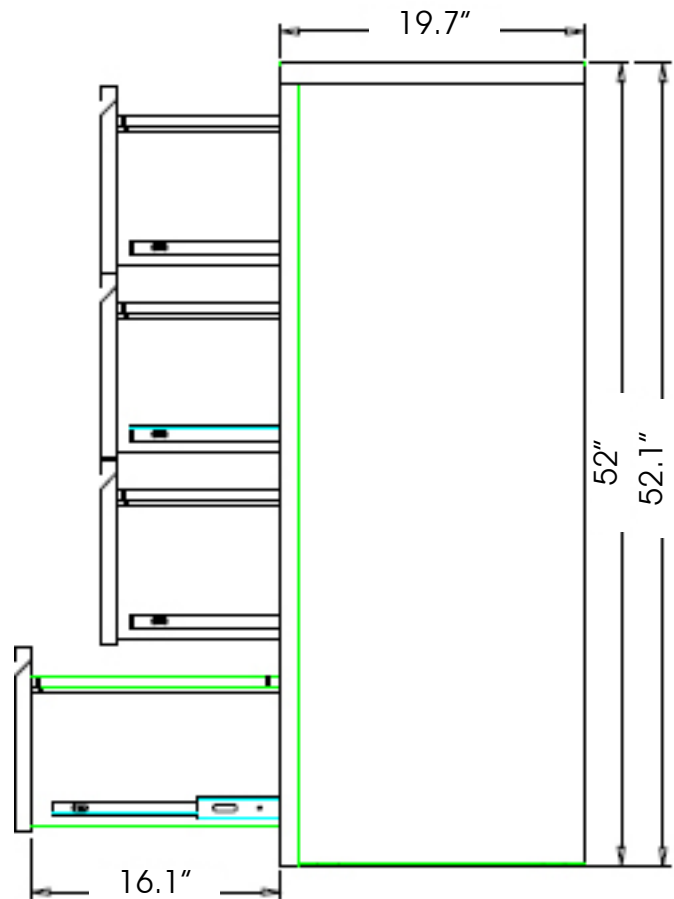
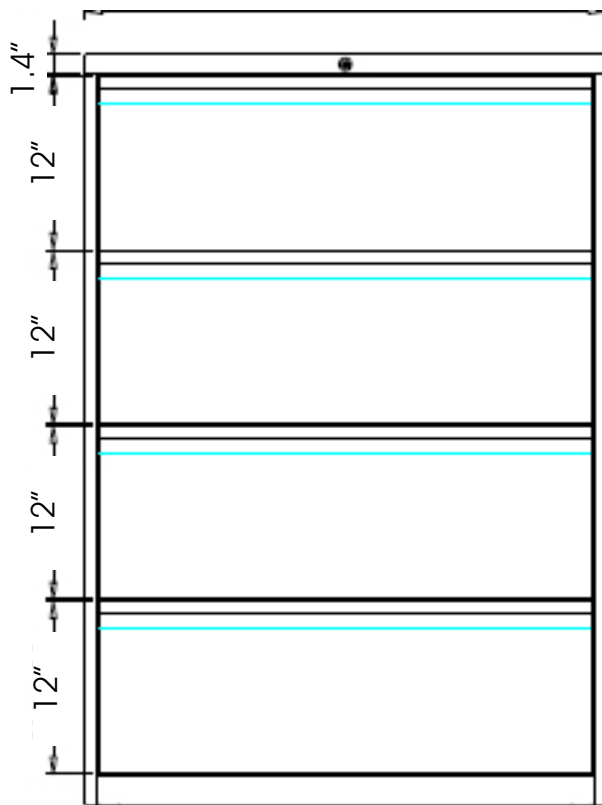
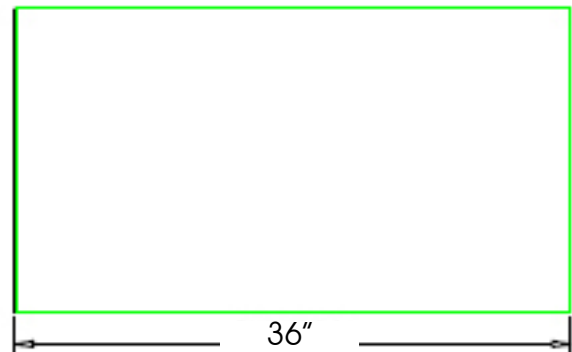
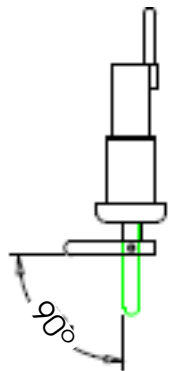


Part Number: LF4-36-FP

Description: 36"W Lateral File, Full Pull, 4 Drawer

Features:

- Three Step Steel Ball Bearing Suspension
- Powder Coating: 40u~80u
- Thickness: 22 Gauge
- Weight Limit 165.3 lbs per drawer



STORAGE SPECIFICATIONS

Lateral Files: 4 Drawer 42" Full Pull

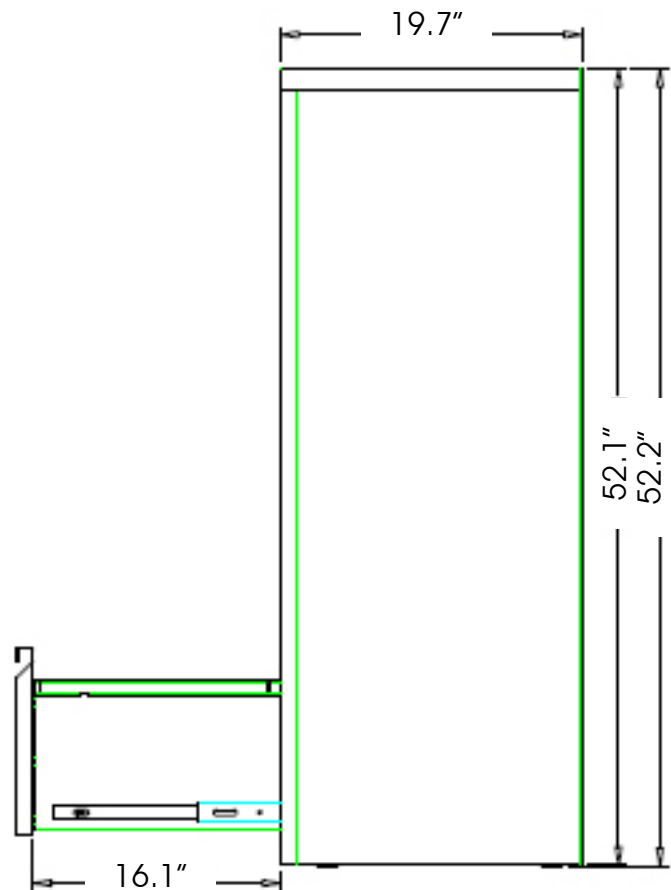
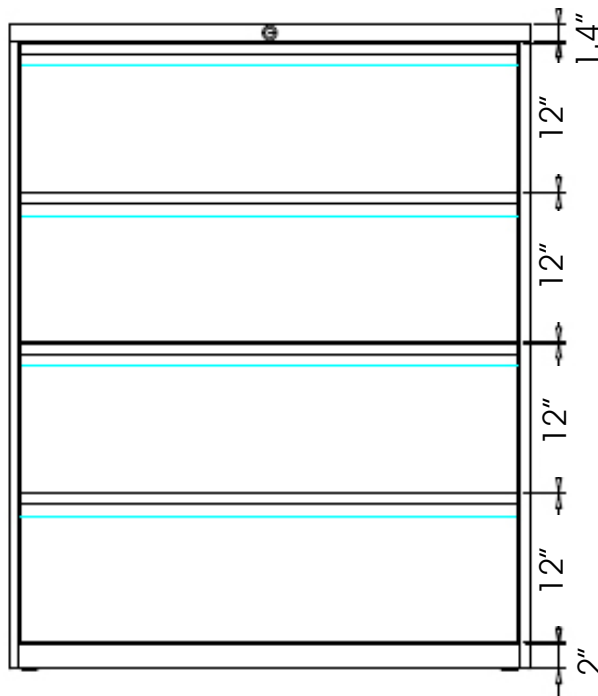
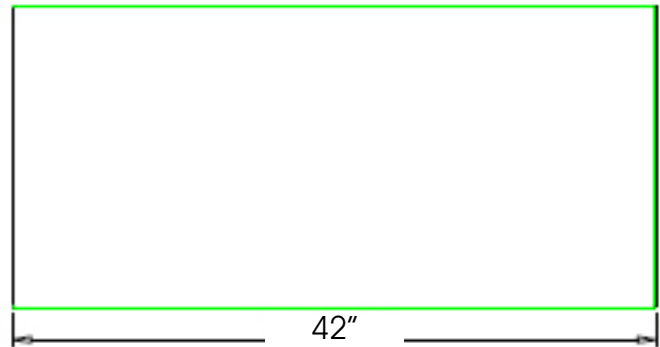


Part Number: LF4-42-FP

Description: 42"W Lateral File, Full Pull, 4 Drawer

Features:

- Three Step Steel Ball Bearing Suspension
- Powder Coating: 40u~80u
- Thickness: 22 Gauge
- Weight Limit 165.3 lbs per drawer



STORAGE SPECIFICATIONS

Lateral Files: 5 Drawer 30" Full Pull

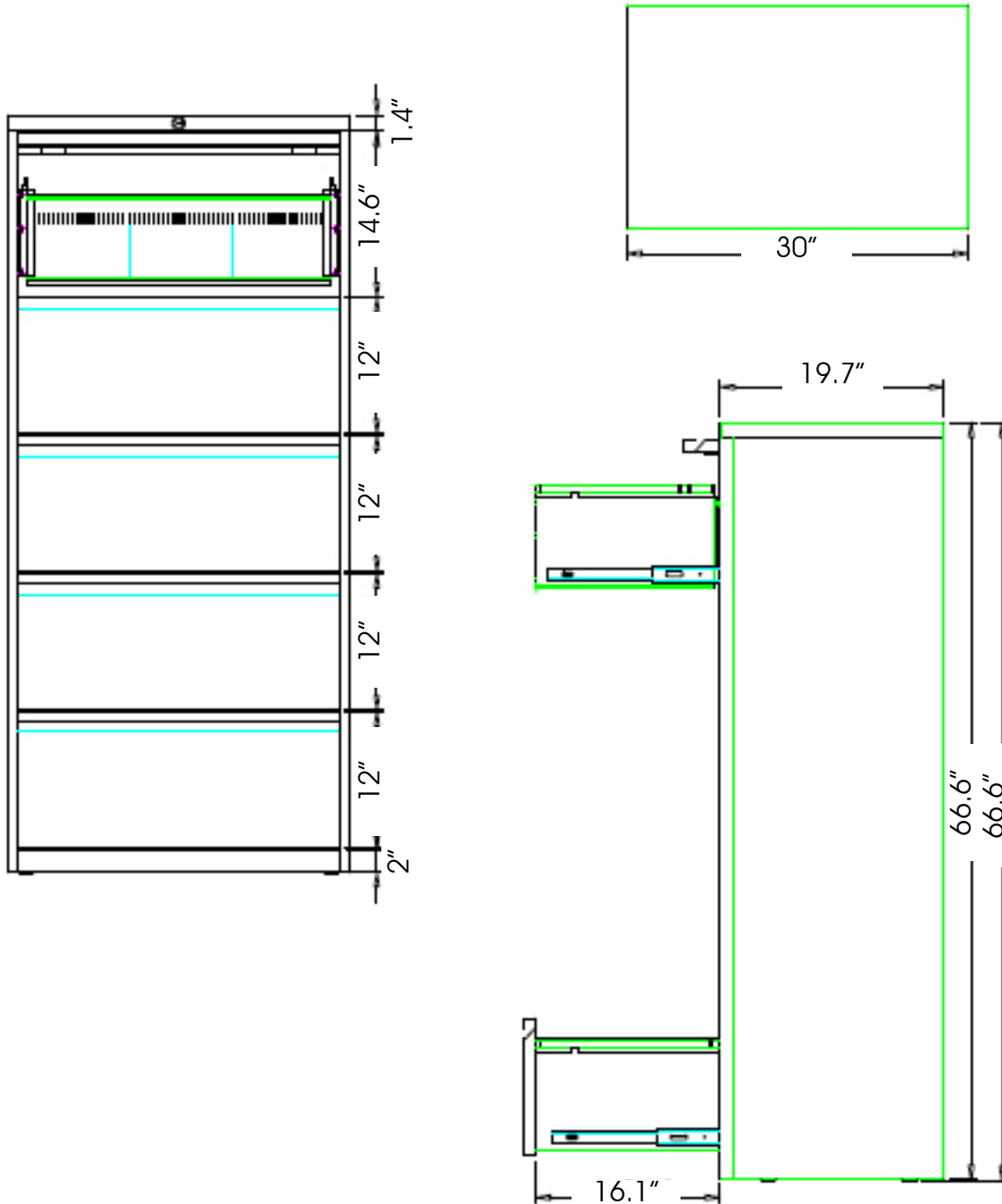


Part Number: LF5-30-FP

Description: 30"W Lateral File, Full Pull, 5 Drawer

Features:

- Three Step Steel Ball Bearing Suspension
- Powder Coating: 40u~80u
- Thickness: 22 Gauge
- Weight Limit 165.3 lbs for drawers 1-4
- Weight Limit 132.3 lbs for drawer 5



STORAGE SPECIFICATIONS

Lateral Files: 5 Drawer 36" Full Pull

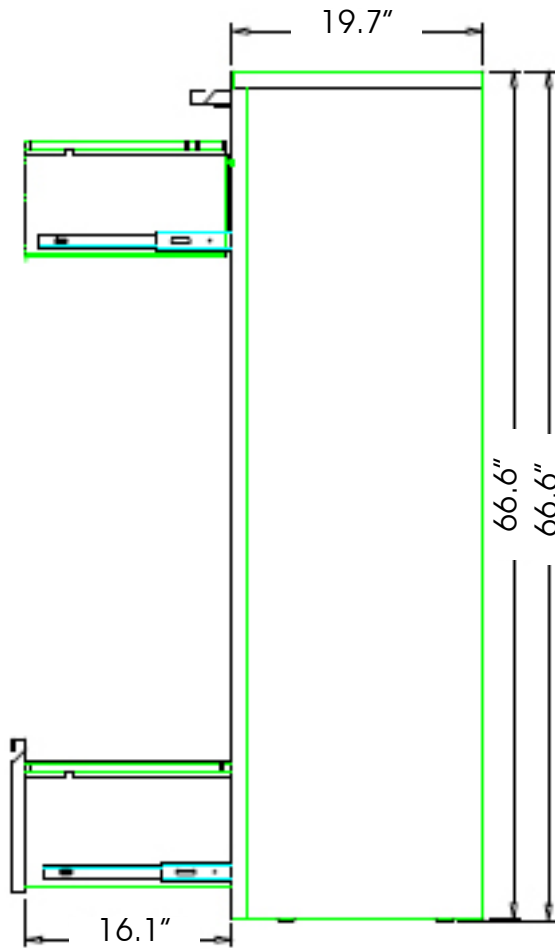
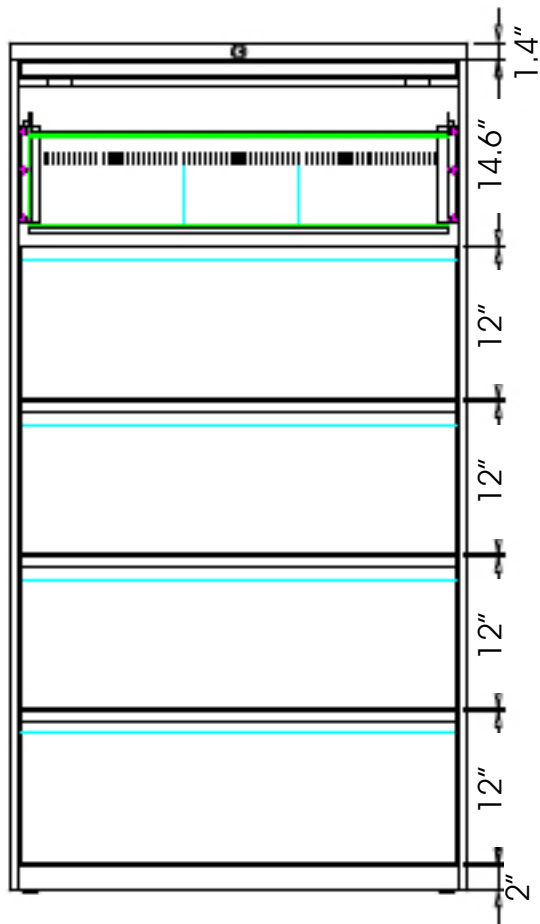
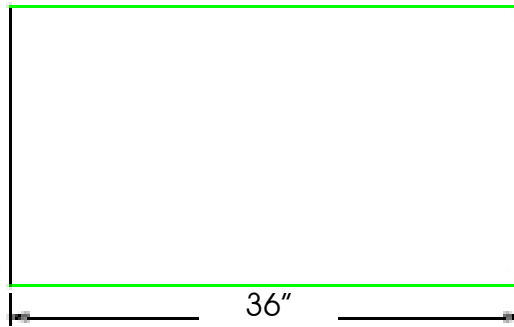
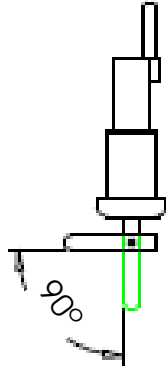


Part Number: LF5-36-FP

Description: 36"W Lateral File, Full Pull, 5 Drawer

Features:

- Three Step Steel Ball Bearing Suspension
- Powder Coating: 40u~80u
- Thickness: 22 Gauge
- Weight Limit 165.3 lbs for drawers 1-4
- Weight Limit 132.3 lbs for drawer 5



STORAGE SPECIFICATIONS

Lateral Files: 5 Drawer 42" Full Pull

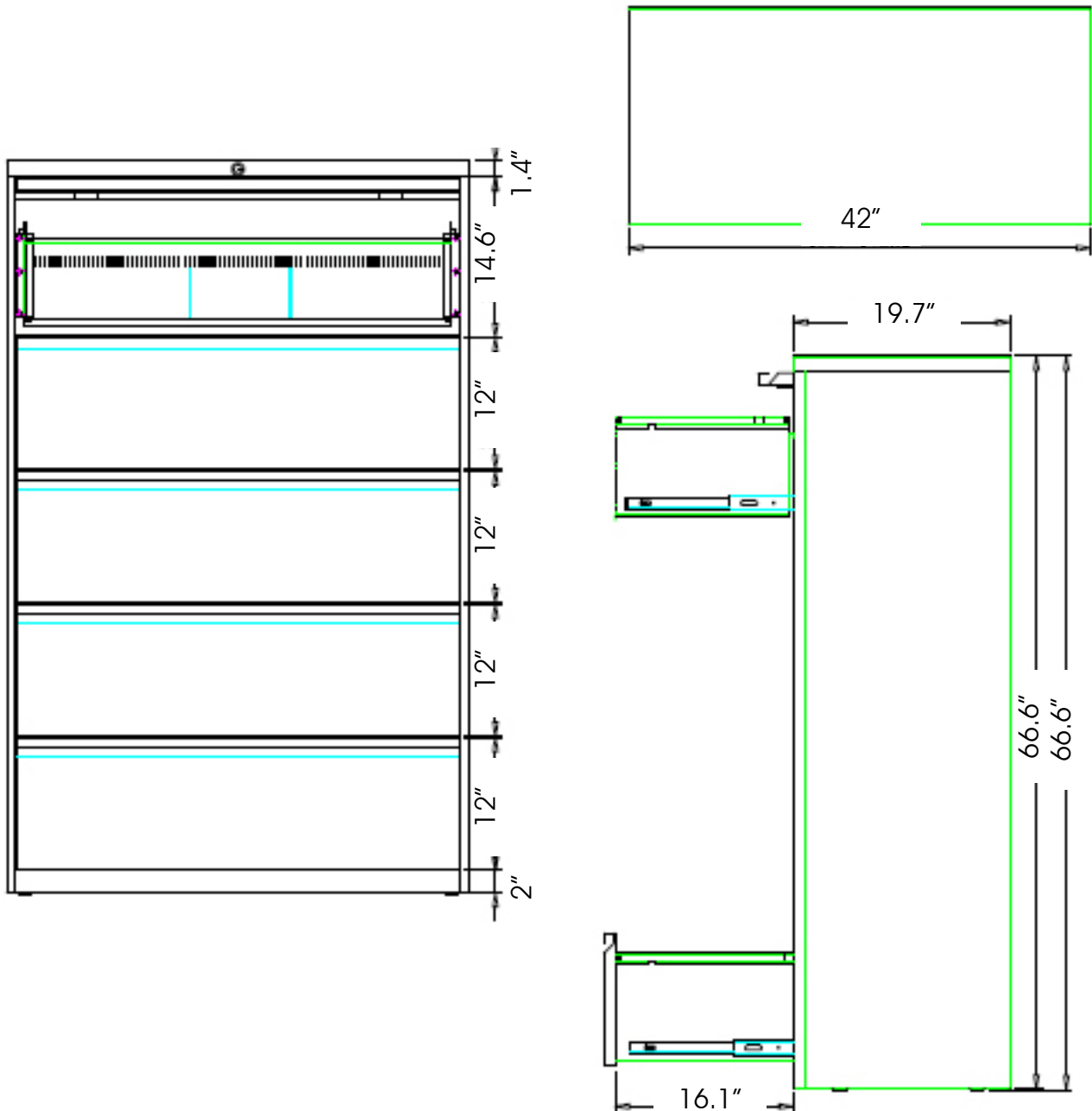


Part Number: LF5-42-FP

Description: 42"W Lateral File, Full Pull, 5 Drawer

Features:

- Three Step Steel Ball Bearing Suspension
- Powder Coating: 40u~80u
- Thickness: 22 Gauge
- Weight Limit 165.3 lbs for drawers 1-4
- Weight Limit 132.3 lbs for drawer 5



STORAGE SPECIFICATIONS

63"H Tower - Right

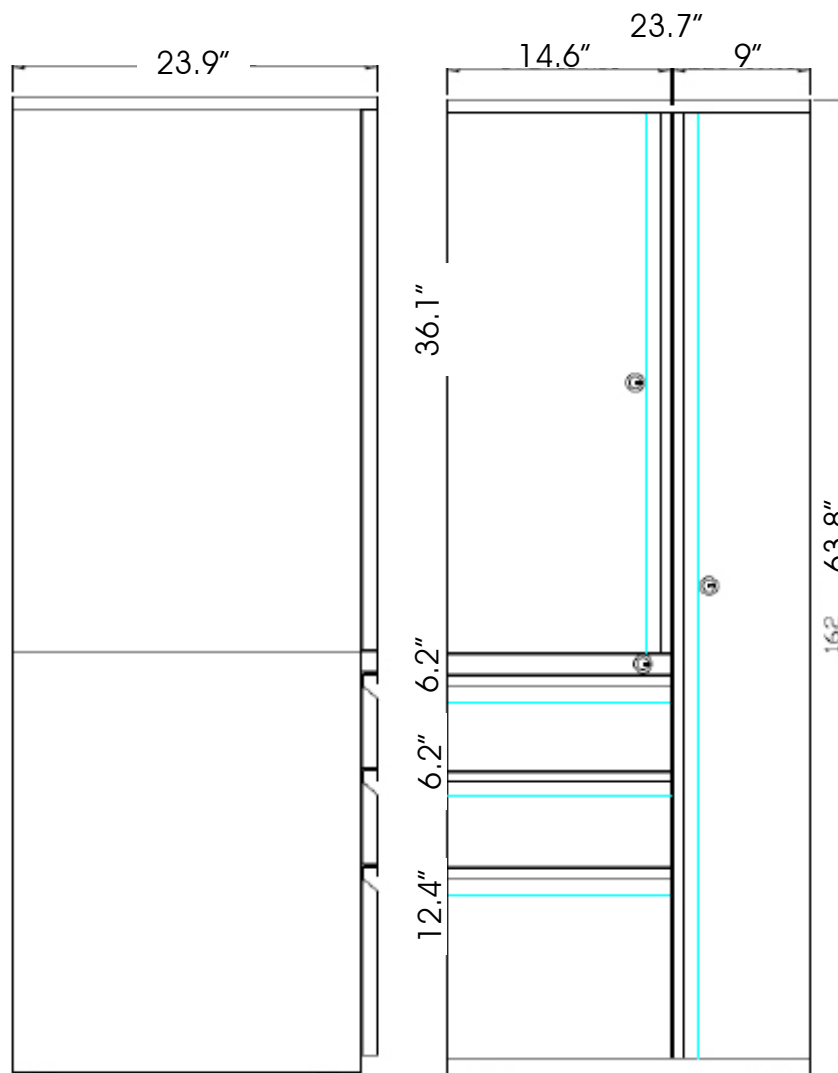


Part Number: LFT-242463-FP-R

Description: Wardrobe Tower, 3 Drawer, 63H Wardrobe on Right

Features:

- Three Step Steel Ball Bearing Suspension
- Powder Coating: 40u~80u
- Body: 22 Gauge (0.027 in)
- Drawer Front: 22 Gauge (0.027 in)
- Bottom: 19 Gauge (0.039 in)
- Drawer: 22 Gauge (0.027 in)
- Top: 22 Gauge (0.027 in)



STORAGE SPECIFICATIONS

63"H Tower - Left

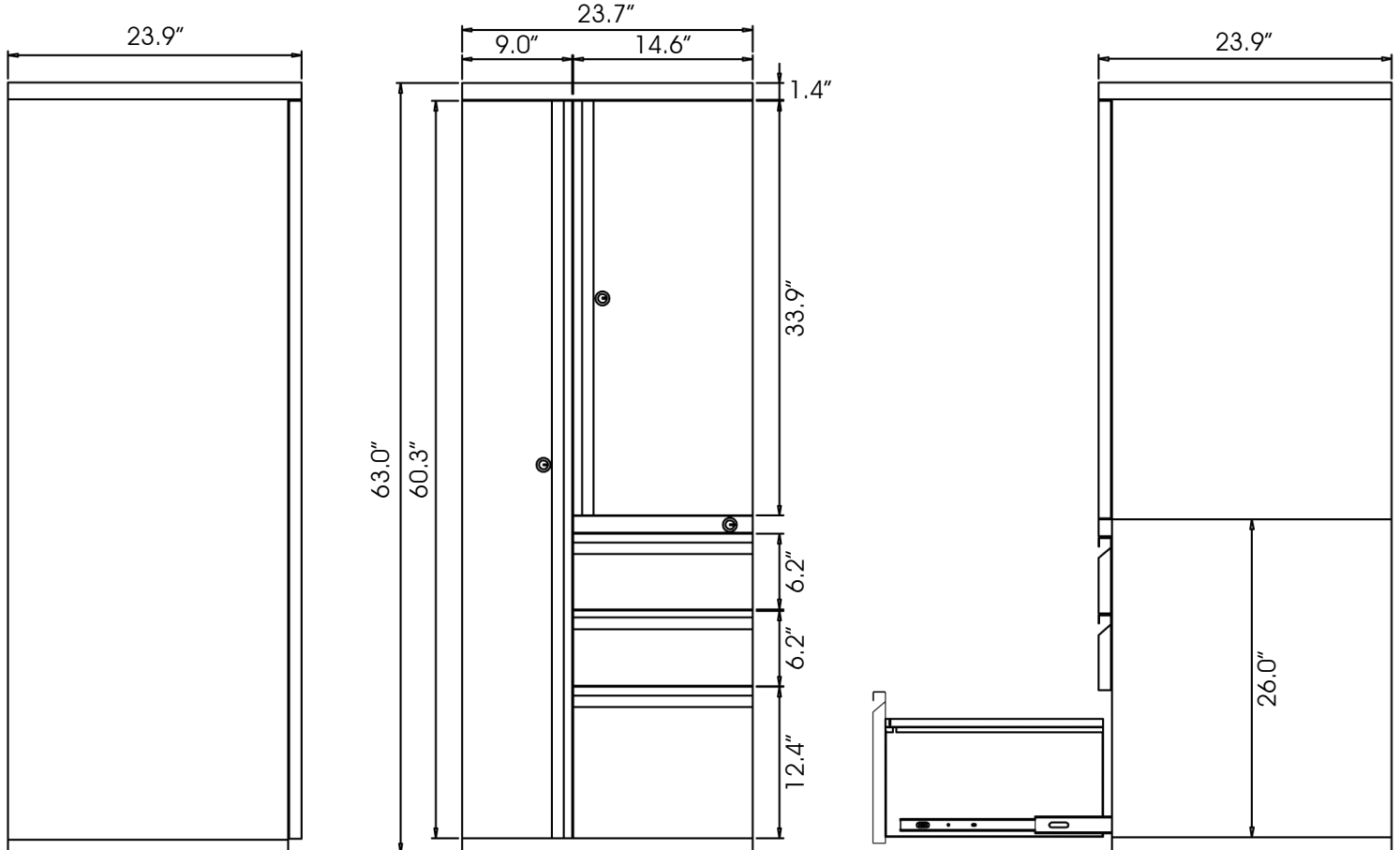
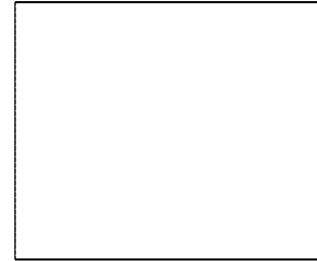


Part Number: LFT-242463-FP-L

Description: Wadrobe Tower, 3 Drawer, 63H, Wadrobe on Left.

Features:

- Three Step Steel Ball Bearing Suspension
- Powder Coating: 40u~80u
- Body: 22 Gauge (0.027 in)
- Drawer Front: 22 Gauge (0.027 in)
- Bottom: 19 Gauge (0.039 in)
- Drawer: 22 Gauge (0.027 in)
- Top: 22 Gauge (0.027 in)



STORAGE SPECIFICATIONS

Desking: Tower- 51"H-Right



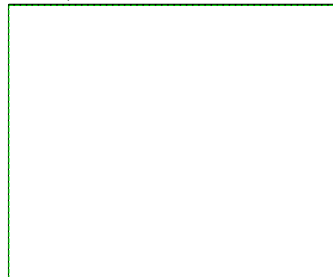
Part Number: DS-ST2451R-M

Description: 24"W x 20"D x 51"H Metal Storage Tower- Right

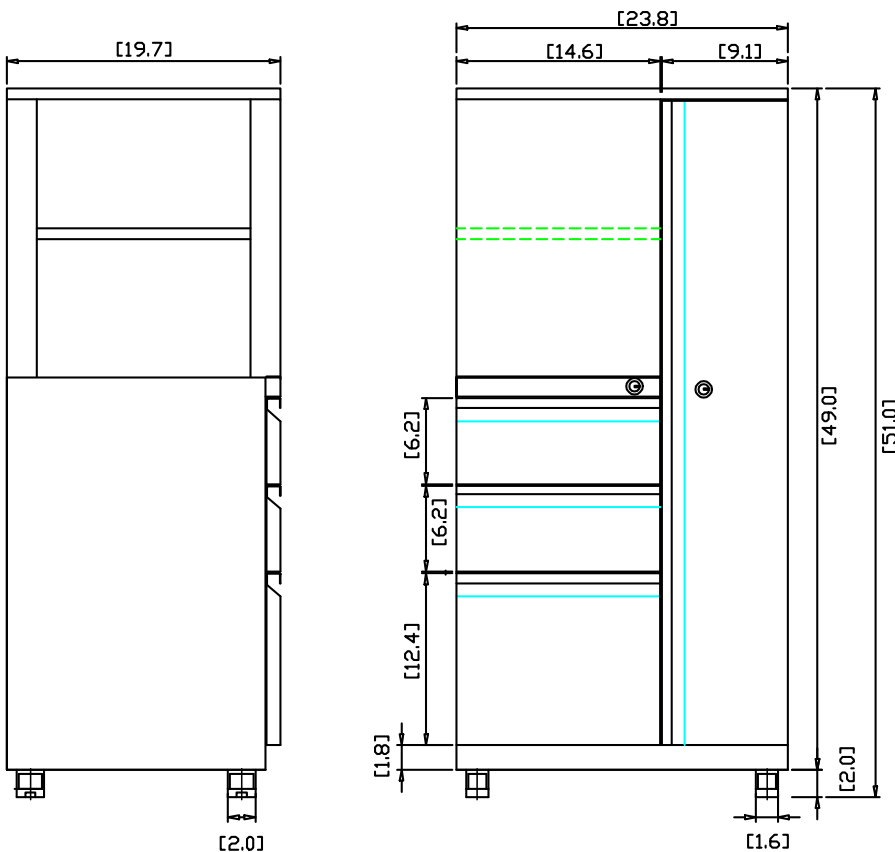
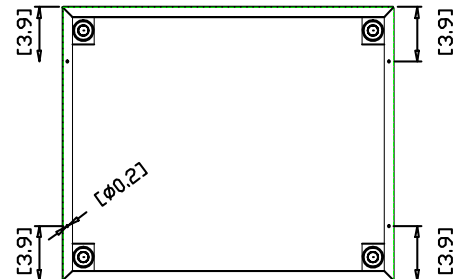
Features:

- Three Step Steel Ball Bearing Suspension
- Powder Coating: 40u~80u
- Body: 22 Gauge (0.027 in)
- Drawer Front: 22 Gauge (0.027 in)
- Bottom: 19 Gauge (0.039 in)
- Drawer: 22 Gauge (0.027 in)
- Top: 22 Gauge (0.027 in)

*Top View



*Bottom View



STORAGE SPECIFICATIONS

Desking: Tower-37"H



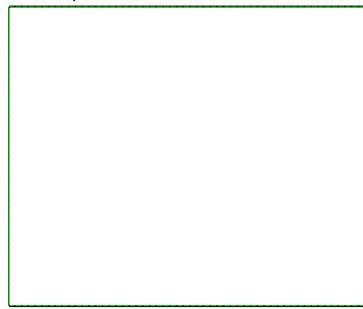
Part Number: DS-ST2437-M

Description: 24"W x 20"D x 37"H Metal Storage Tower

Features:

- Three Step Steel Ball Bearing Suspension
- Powder Coating: 40u~80u
- Body: 22 Gauge (0.027 in)
- Drawer Front: 22 Gauge (0.027 in)
- Bottom: 19 Gauge (0.039 in)
- Drawer: 22 Gauge (0.027 in)
- Top: 22 Gauge (0.027 in)

*Top View



*Bottom View

