

STORAGE SPECIFICATIONS

Box/Box/File: Square Pull Pedestal



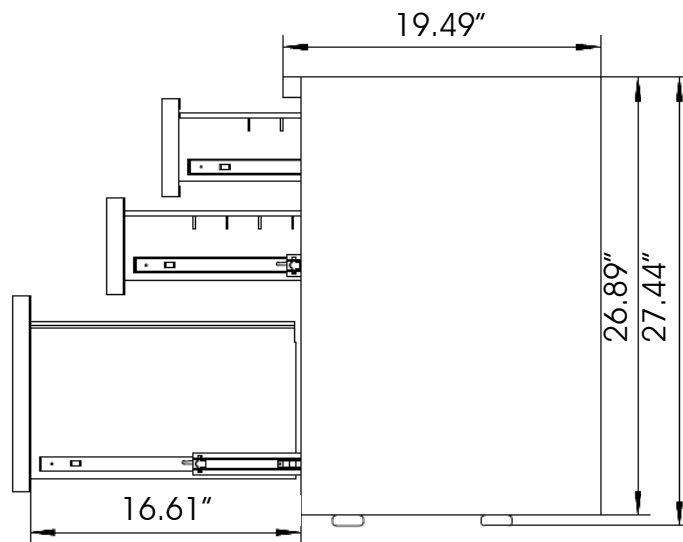
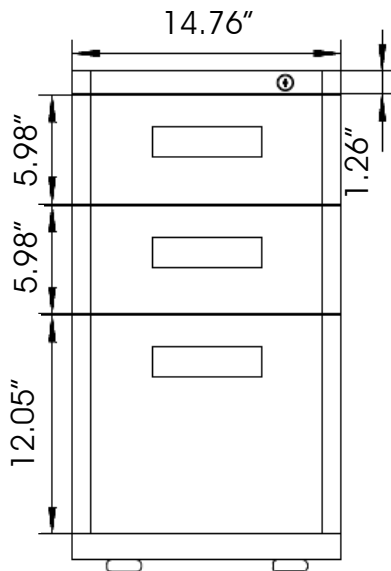
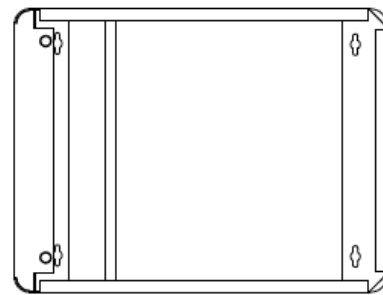
Part Number: BBF-SP

Description: Box, Box, File, Square Pull, 20"D, No Top

Weight: 51.81 lb.

Features:

- Heavy Gauge Steel Structure
- Three Step Ball Bearing Suspension
- Removable Lock Core
- Powder Coating: 40u-80u
- Body: 22 Gage (0.027")
- Drawer Front: 22 Gage (0.027")
- Bottom: 21 Gage (0.031")
- Drawer: 22 Gage (0.027")



STORAGE SPECIFICATIONS

File/File: Square Pull Pedestal



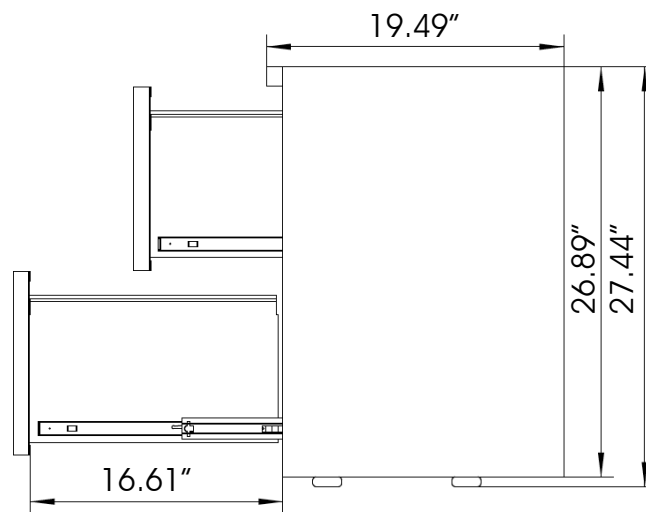
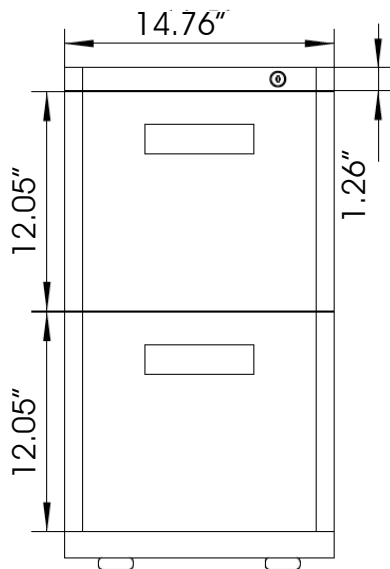
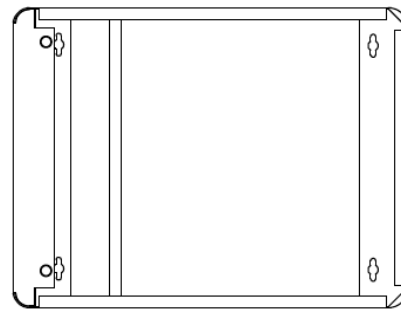
Part Number: FF-SP

Description: File, File, Square Pull, 20"D, No Top

Weight: 56.22 lb.

Features:

- Heavy Gauge Steel Structure
- Three Step Ball Bearing Suspension
- Anti-tilt Counterweight
- Removable Lock Core
- Powder Coating: 40u-80u
- Body: 22 Gage (0.027")
- Drawer Front: 22 Gage (0.027")
- Bottom: 21 Gage (0.031")



STORAGE SPECIFICATIONS

Box/Box/File- Square Pull- Mobile Pedestal



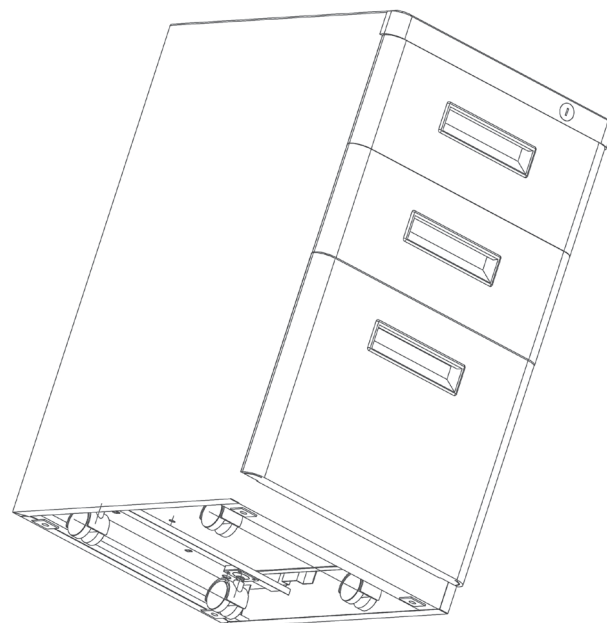
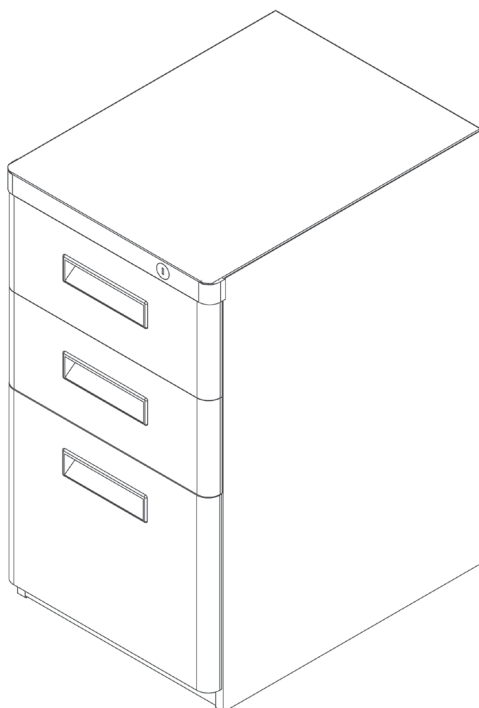
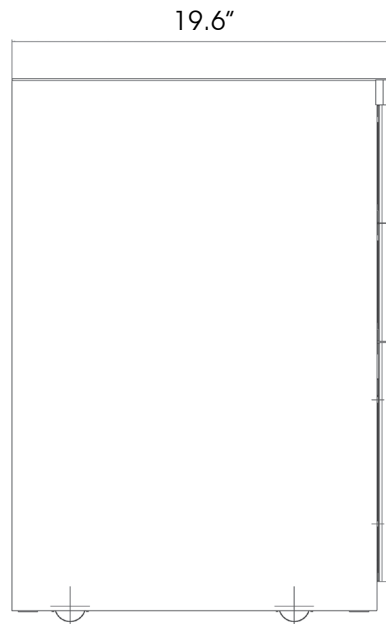
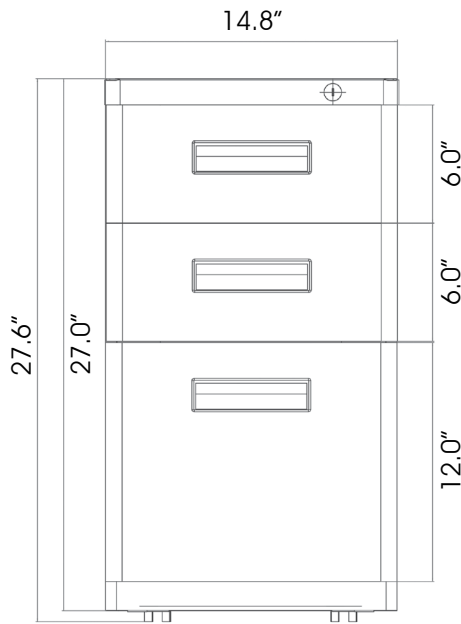
Part Number: BBF-SP-MP

Description: Box, Box, File, Square Pull, Mobile

Weight: 51.81 lb.

Features:

- Heavy Gauge Steel Structure
- Three Step Ball Bearing Suspension
- Removable Lock Core
- Powder Coating: 40u-80u
- Body: 22 Gage (0.027")
- Drawer Front: 22 Gage (0.027")
- Bottom: 21 Gage (0.031")
- Drawer: 22 Gage (0.027")



STORAGE SPECIFICATIONS

File/File- Square Pull- Mobile Pedestal



Part Number: FF-SP-MP

Description: File, File, Square Pull, Mobile

Weight: 56.22 lb.

Features:

- Heavy Gauge Steel Structure
- Three Step Ball Bearing Suspension
- Anti-tilt Counterweight
- Removable Lock Core
- Powder Coating: 40u-80u
- Body: 22 Gage (0.027")
- Drawer Front: 22 Gage (0.027")
- Bottom: 21 Gage (0.031")

