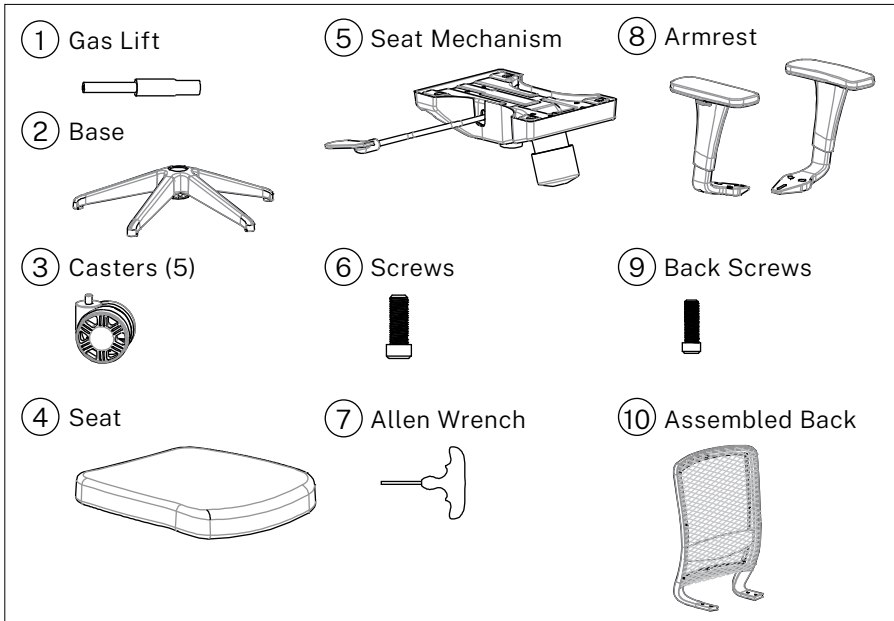


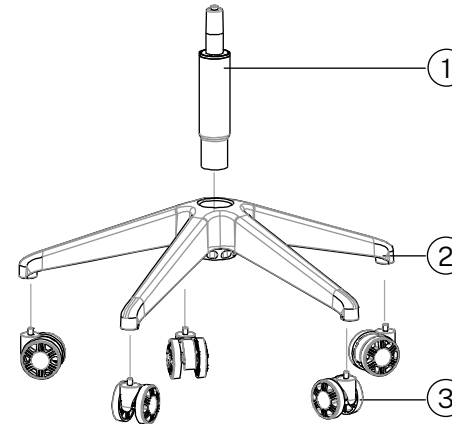
# L2 LUMEN

## ASSEMBLY GUIDE



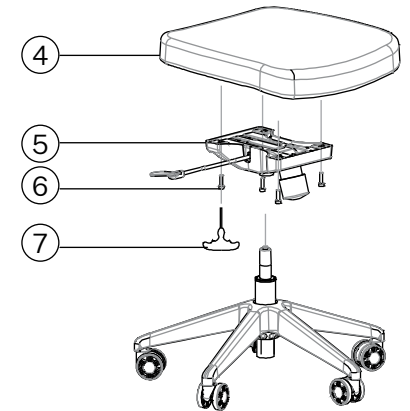
### STEP 1:

1. Insert 5 casters onto base
2. Insert gas lift into base



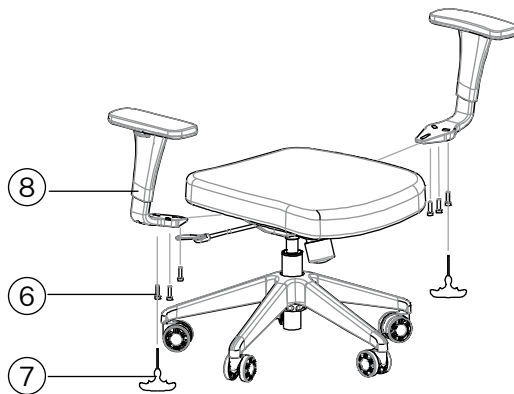
### STEP 2:

1. Insert seat mechanism under seat
2. Tighten screws
3. Insert seat onto the gas lift



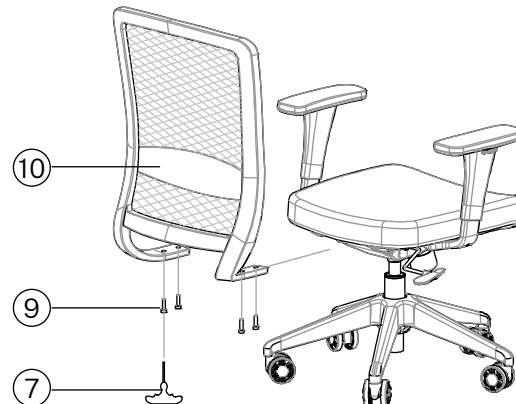
### STEP 3:

1. Insert armrests into the seat
2. Tighten screws



### STEP 4:

1. Insert assembled back into the seat
2. Tighten screws



### Maintenance and Attention

1. Make sure the chair can only carry one person at a time.
2. Do not use the chair as a step stool or ladder.
3. Do not use the chair before all parts are properly assembled.
4. Do not use chair unless all screws have been tightened.
5. If destroyed by outside forces or defect work, stop use the chair until repaired.
6. For your safety, the instructions listed above must be strictly observed.

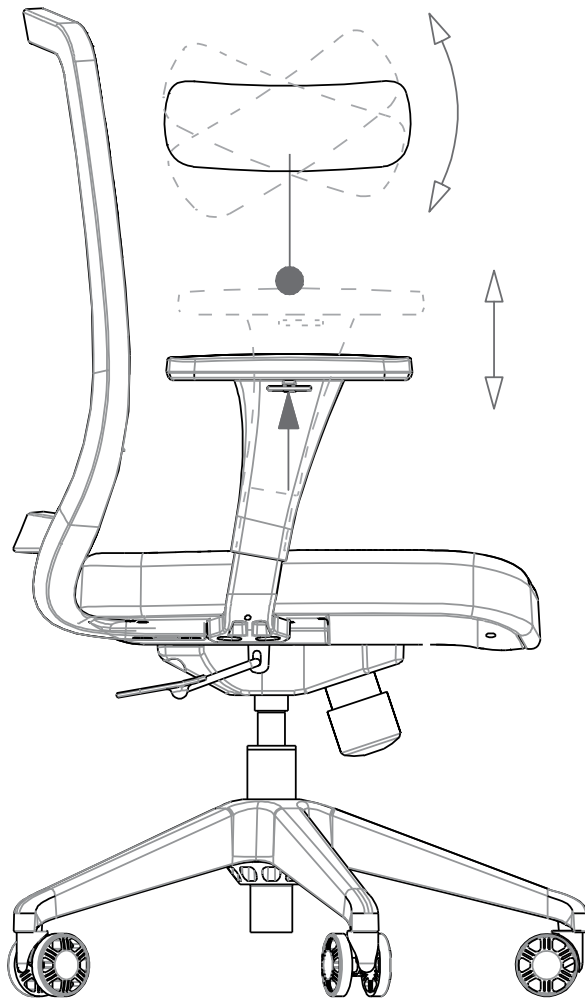


# L2 LUMEN

## USER GUIDE

### Armrest Adjust:

1. The height of the armrest can be adjusted freely by pressing the button under each armrest.
2. Armrest can adjust in/out manually.



### Seat Height Adjust:

1. Press the lever under the right side of seat to adjust seat height up/down.
2. The height can be fixed after releasing lever.

