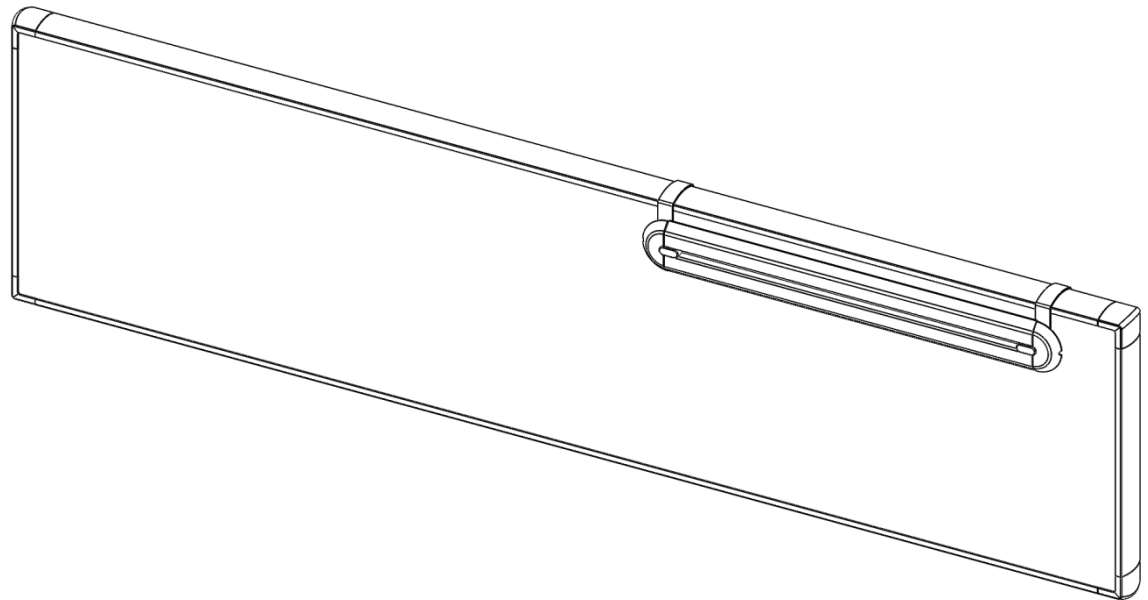
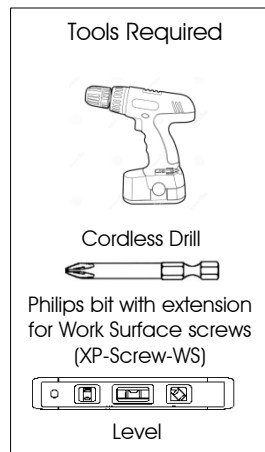


XPAND REACH/UP






Accessory Rail Assembly to XPand Screen



For additional assembly support, refer to www.openplan.com
or contact 844.OPS.OPS1

Xpand Parts Used for Assembly

Item	Part name	Part Description	Image
1	XP-ACC-RAIL	Screen Accessory Rail	
2	XP-ACC-BKT-D	Accessory Hanging Bracket, Double	
3	XP-Screw-ws	10-9X1 PH Pan Head, ST P'bd	

The Accessory Rail is used to support the Accessory Trays (Pen Tray, Paper Tray, Phone Tray and Box Tray). In order to use the Accessory Rail, it has to be assembled to the Rail bracket.

XPand offers two types of Rail Brackets; Double side hang Bracket (XP-ACC-RAIL-BKT-D); shown in Figure A and Single side hang (XP-ACC-RAIL-BKT-S)); shown in Figure B.

For thin screens, XP-ACC-RAIL-BKT-D-T and XP-ACC-RAIL-BKT-S-T are used.

Step 1: Place the Rail Bracket between the Accessory Rail and the End Cap and secure the Bracket, Accessory Rail and the End Cap with a Screw.

Note: When placing the Bracket between the Rail and End Cap, make sure the end tabs of the Bracket face the Rail.

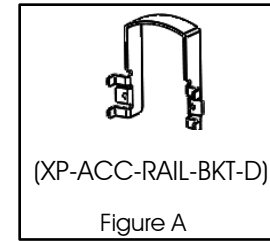
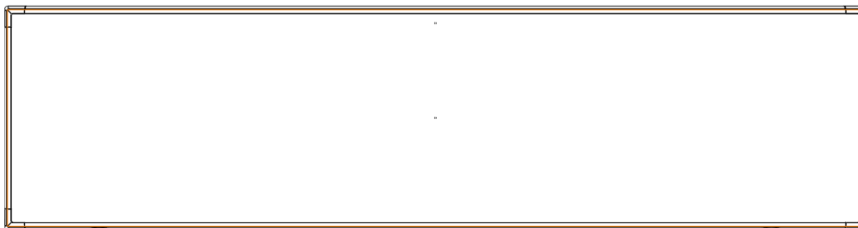
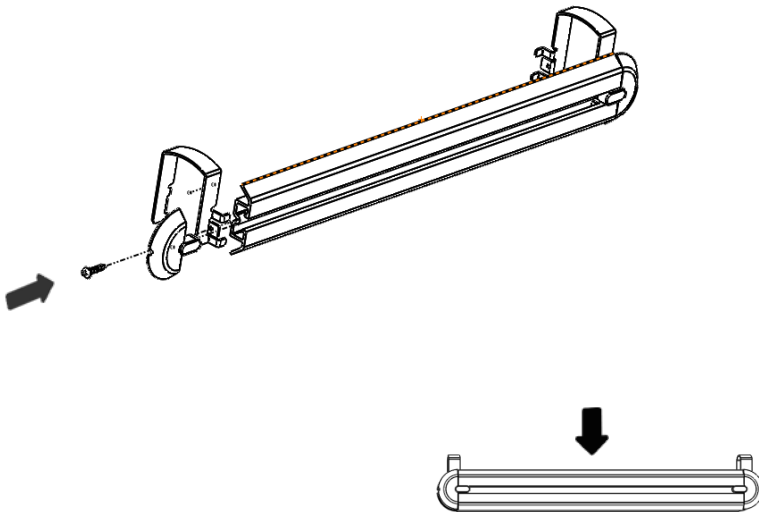


Figure A

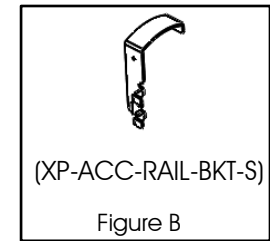
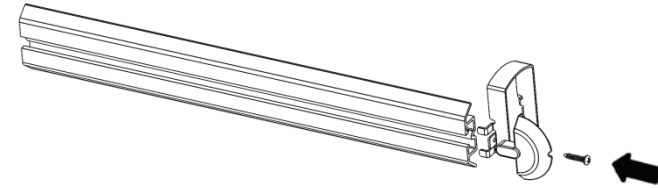


Figure B



Step 2: Repeat Step 1 on the other end of the Rail.

Step 3: Repeat Step 1 and Step 2 to Assemble another Accessory Rail to the other side of the Bracket.

Note: If XP-ACC-RAIL-BKT-S is used, Step 3 is not used.

Step 4: Slide in the assembled Accessory Rail on to the screen.