

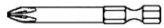
XPAND UP

Height Adjustable 90 Degree Station– Assembly Instructions

Tools Required



Cordless Drill



Phillips bit with extension
for Work Surface screws
(XP-Screw-WS)



3/16 Hex drive bit
for XP-Screws



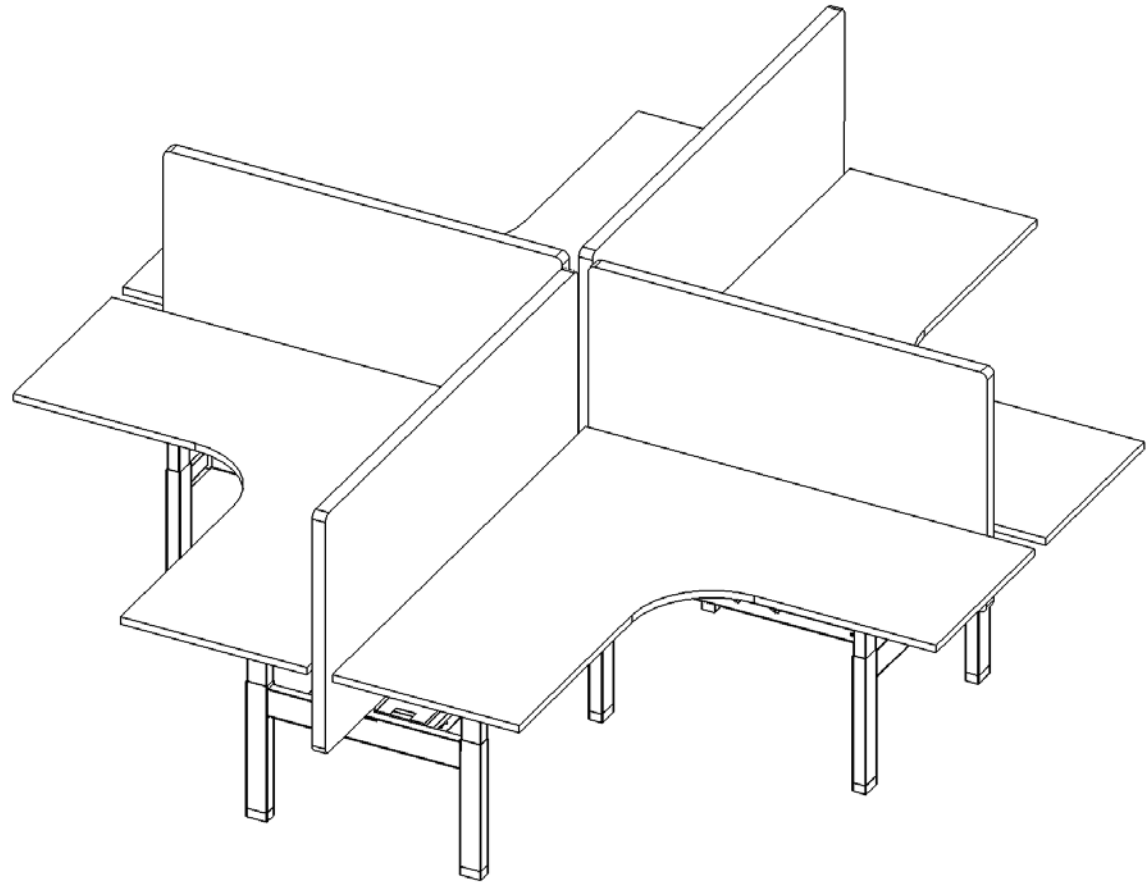
Measuring Tape



Level

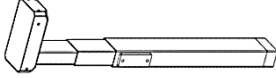

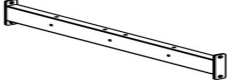
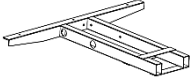


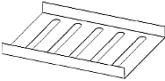

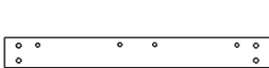




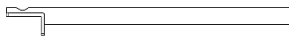


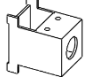



Rubber Mallet



For additional assembly support, refer to www.openplan.com
or contact 844.OPS.OPS1

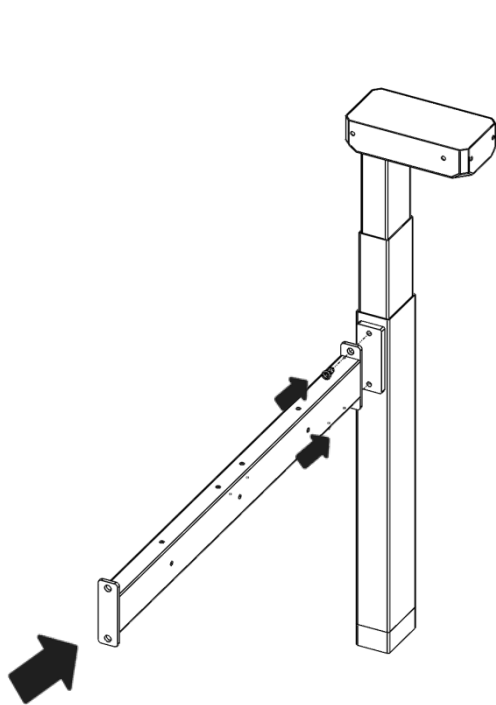
XPand Parts Used for Assembly

Item	Part name	Part Description	Image
1	XP-HA-Base, leg	Legs for XP-HA-Base	
2	XP-SB-Bracket	Stretcher Bar Bracket	
3	XP-HA-LR-30	HA- Leg Rail, 30"	
4	XP-HA-Base, Frame support	Frame support for HA-Base	
5	XP-HA-LRC-30"	Leg Rail Cover 30"	
6	XP-HA-SB-XX	Stretcher Bar, XX"	
7	XP-CTA-XX	Cable Tray	
8.	XP-CTC18	Cable Tray Cover, 18"	
9.	XP-Link	Stretcher Bar, 21"	

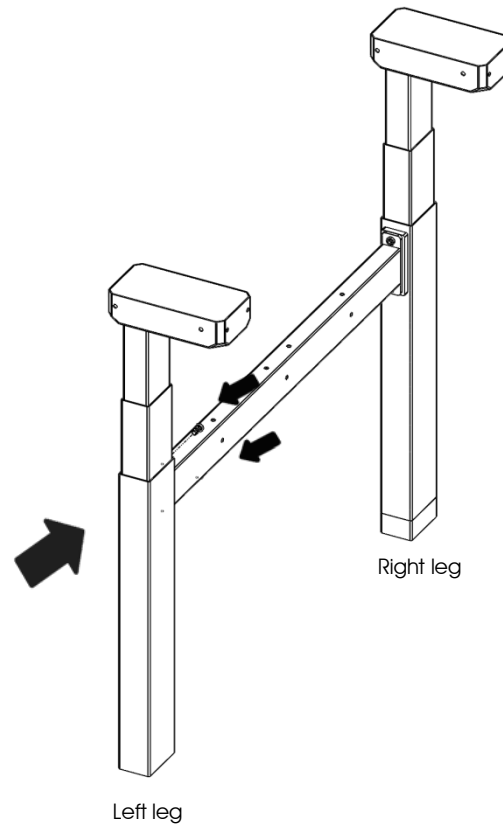
Item	Part name	Part Description	Image
10	XP-CTC	Cable Tray Clip	
11	XP-CTCXX	Cable Tray Cover, XX"	
12	XP-SB-HA	HA Screen T-Bracket	
13	CCWSXXXXXX	HA Work Surface	
14	XP-STBP	Screen T-Bracket Sleeve	
15	XP-Link-BKT	HA-Link Stretcher Bracket	
16	HA-Base-Screw	M6X14 Hex screw	
17	XP-Screw-WS	10-9X1 PH Pan Head, ST P'bd	
18	XP-Screw	5/16-18 x .5" Hex Socket Cap	

Step 1: Prepare a large floor space to put the XPand order together. Unpack the parts and check to see if all the XPand parts are present as per the sales order pick list.

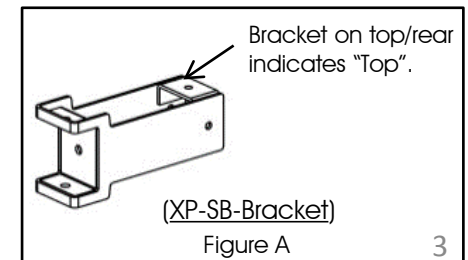
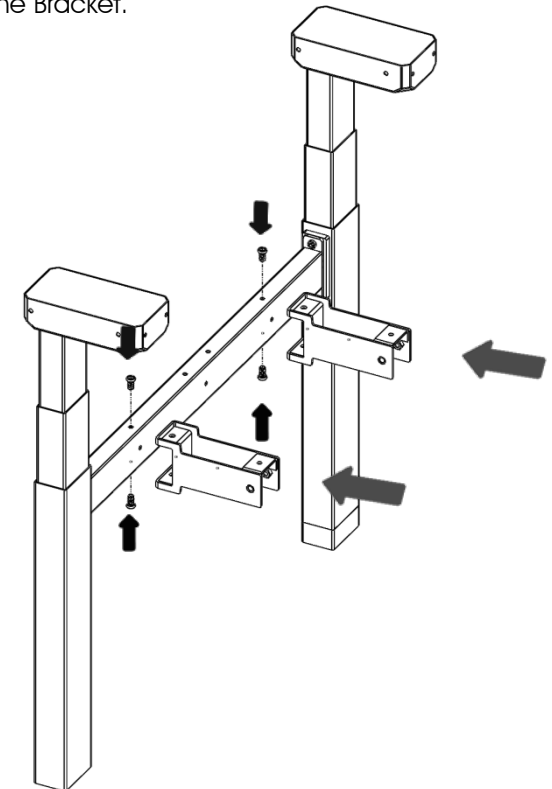
Step 2: Assemble the HA-Leg Rail (XP-HA-LR-30) to the Height Adjustable Leg using (2) XP-Screws.



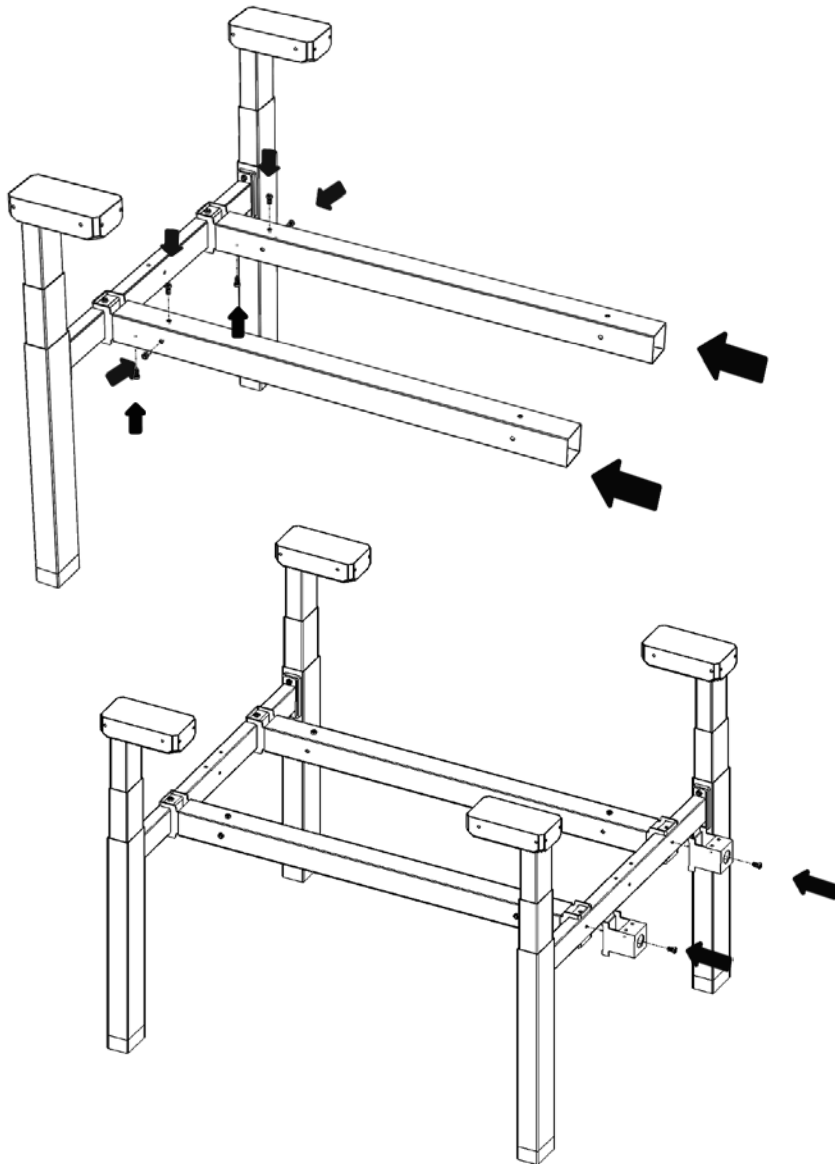
Step 3: Assemble the other end of the Leg Rail to another Height adjustable leg using (2) XP-Screws.



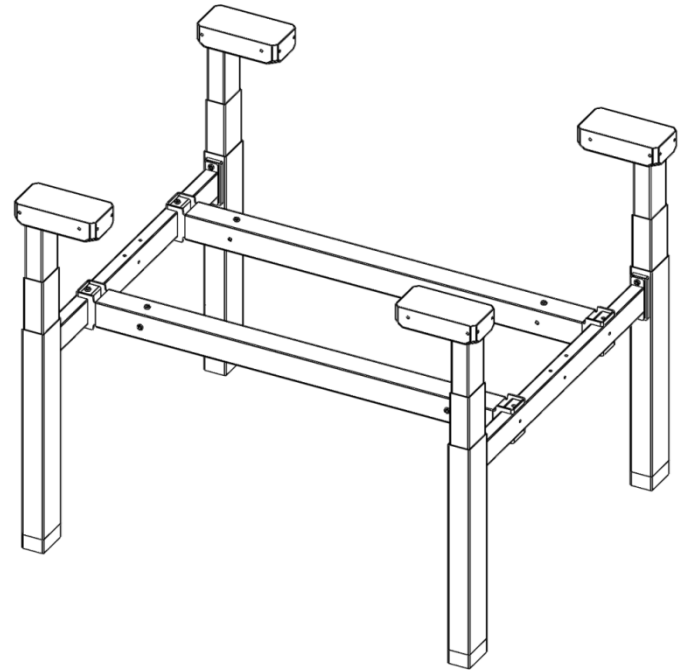
Step 4: Assemble (2) Stretcher Bar Bracket (XP-SB-Brackets) to the HA-Leg Rail using (2) XP-Screws per Bracket. Make sure the Top Face of the Bracket faces upwards. Figure A shows the Top Face of the Bracket.



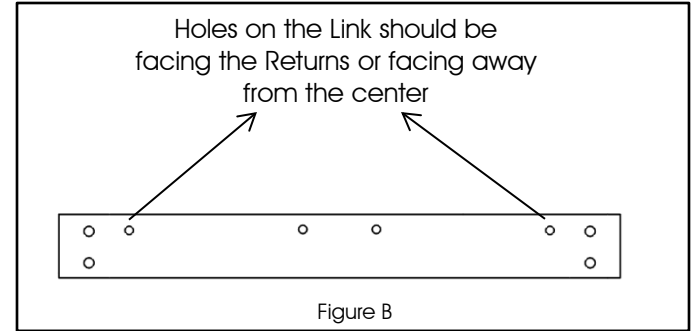
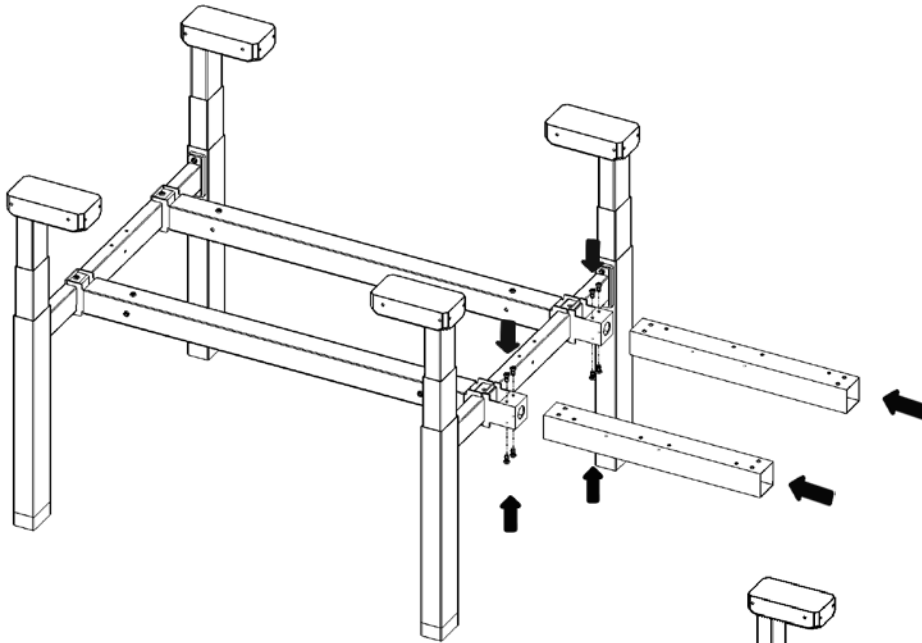
Step 5: Assemble the Stretcher Bar (XP-SB-XX) to the Stretcher Bar Bracket (XP-SB-Bracket) using (3) XP-Screws per Stretcher Bar.



Step 6: Repeat Step 2 to Step 4 to build an End leg Assembly and assemble the other end of the Stretcher Bar to the Stretcher Bar Brackets to get a Height Adjustable Station.



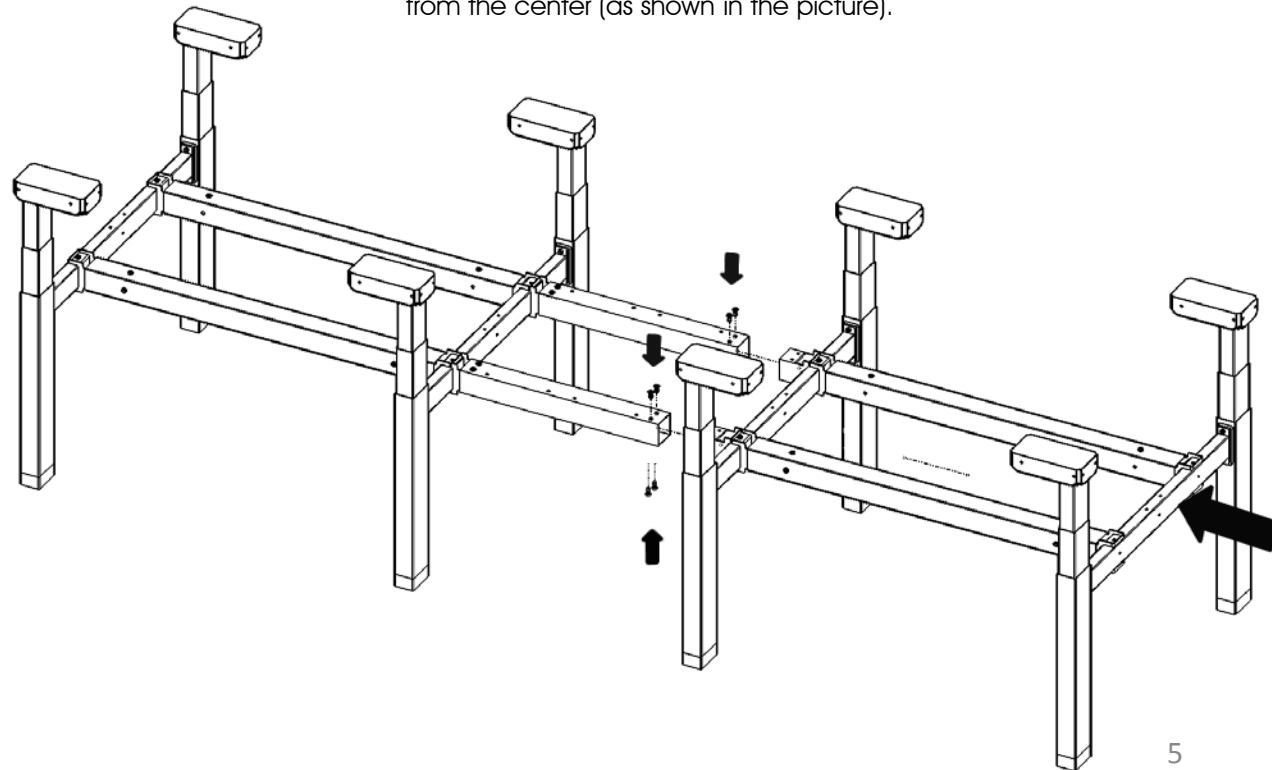
Step 7: Using the Center hole, assemble the Link Bracket (XP-Link-BKT) to the Leg rail using (1) XP-Screws per Bracket.

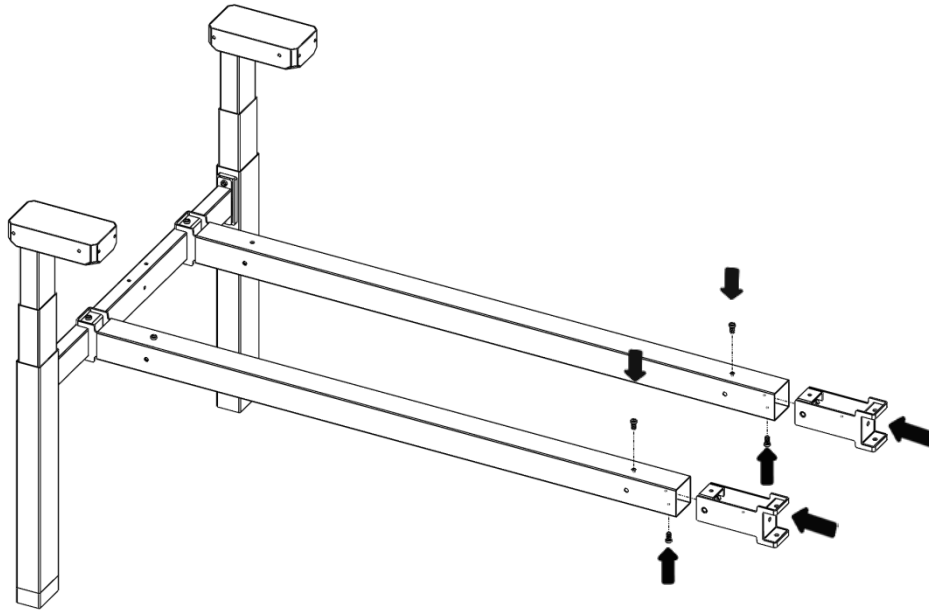


Step 8: Assemble the 21" Link to the Link-Bracket using (4) XP-Screws per Bracket.

Note: While Assembling the Links make sure the Holes are facing away from the center (as shown in the picture).

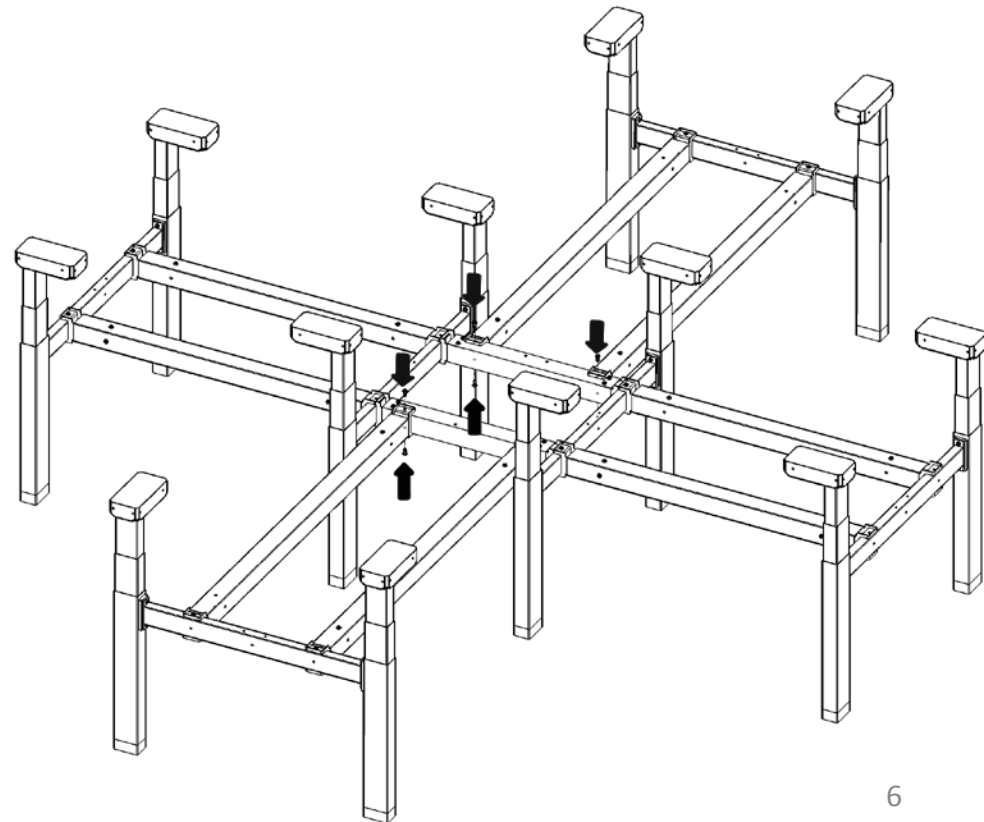
Step 9: Repeat Step 2 to Step 7 to build another Height Adjustable Station with the Link-Bracket. Assemble the other end of the 21" Link to the Link-Bkt using (4) XP-Screws per Bracket.

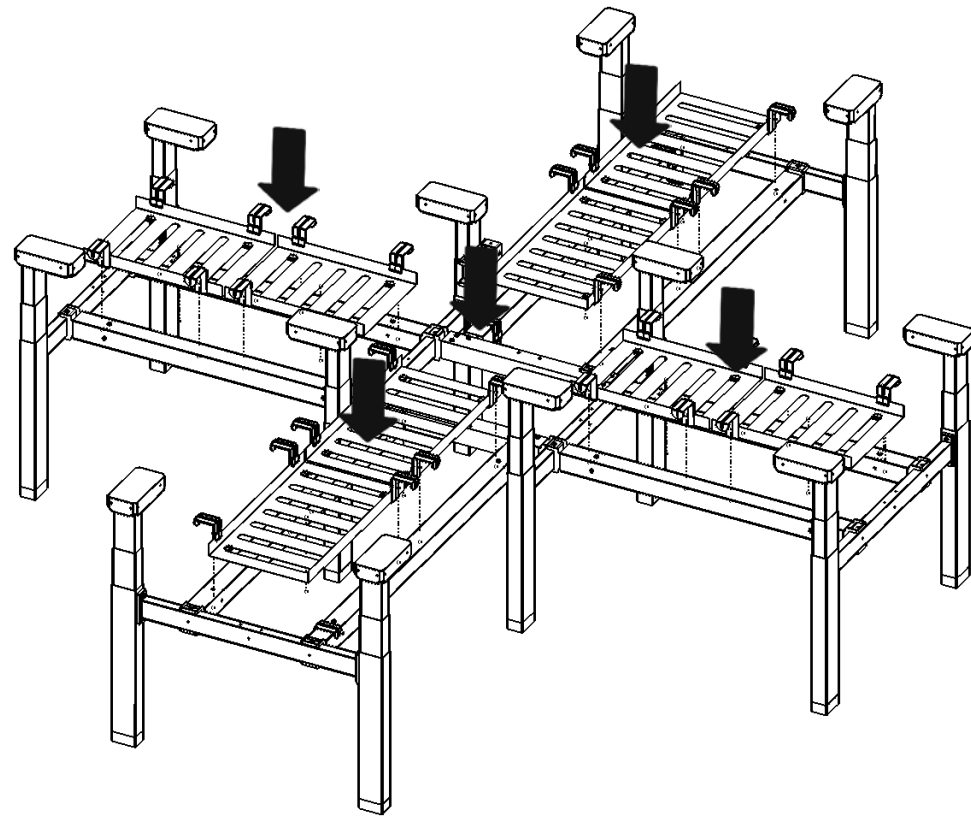




Step 10: Repeat Step 2 to Step 5 twice to build (2) Return Height Adjustable Stations and assemble XP-SB-Bracket to the Stretcher bars using (2) XP-Screws per Bracket.

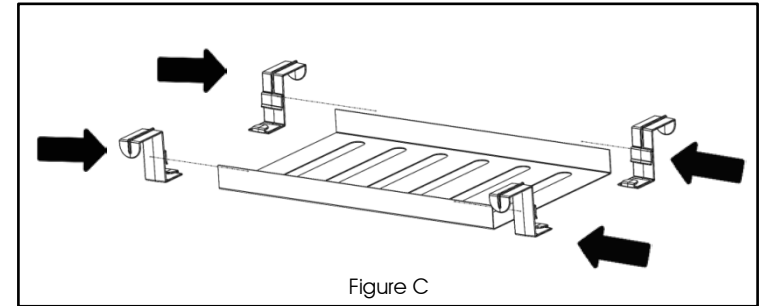
Step 11: Assemble the XP-SB-Brackets to the 21" Link using (2) XP-Screws per Bracket, forming a (4) Pod.



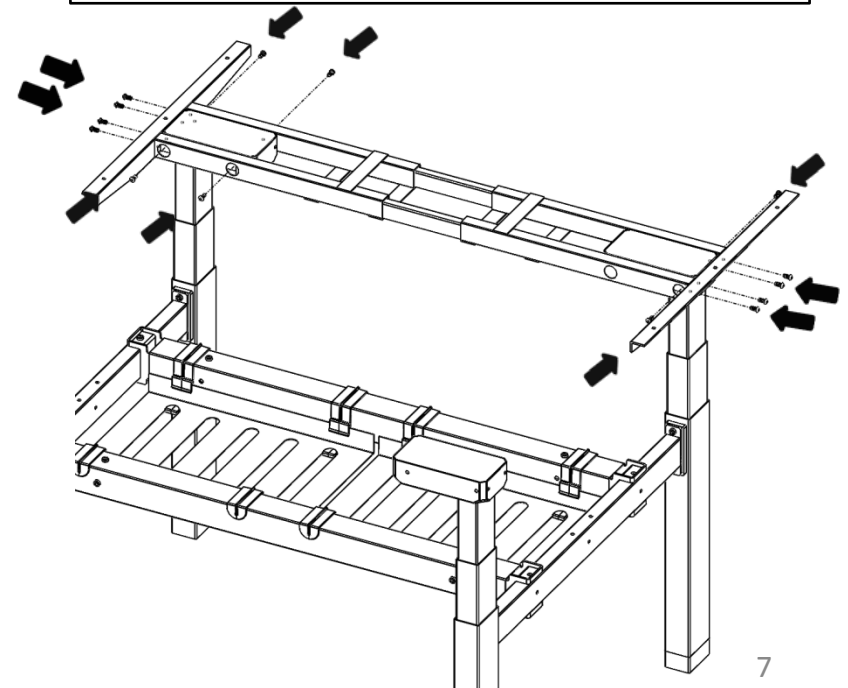


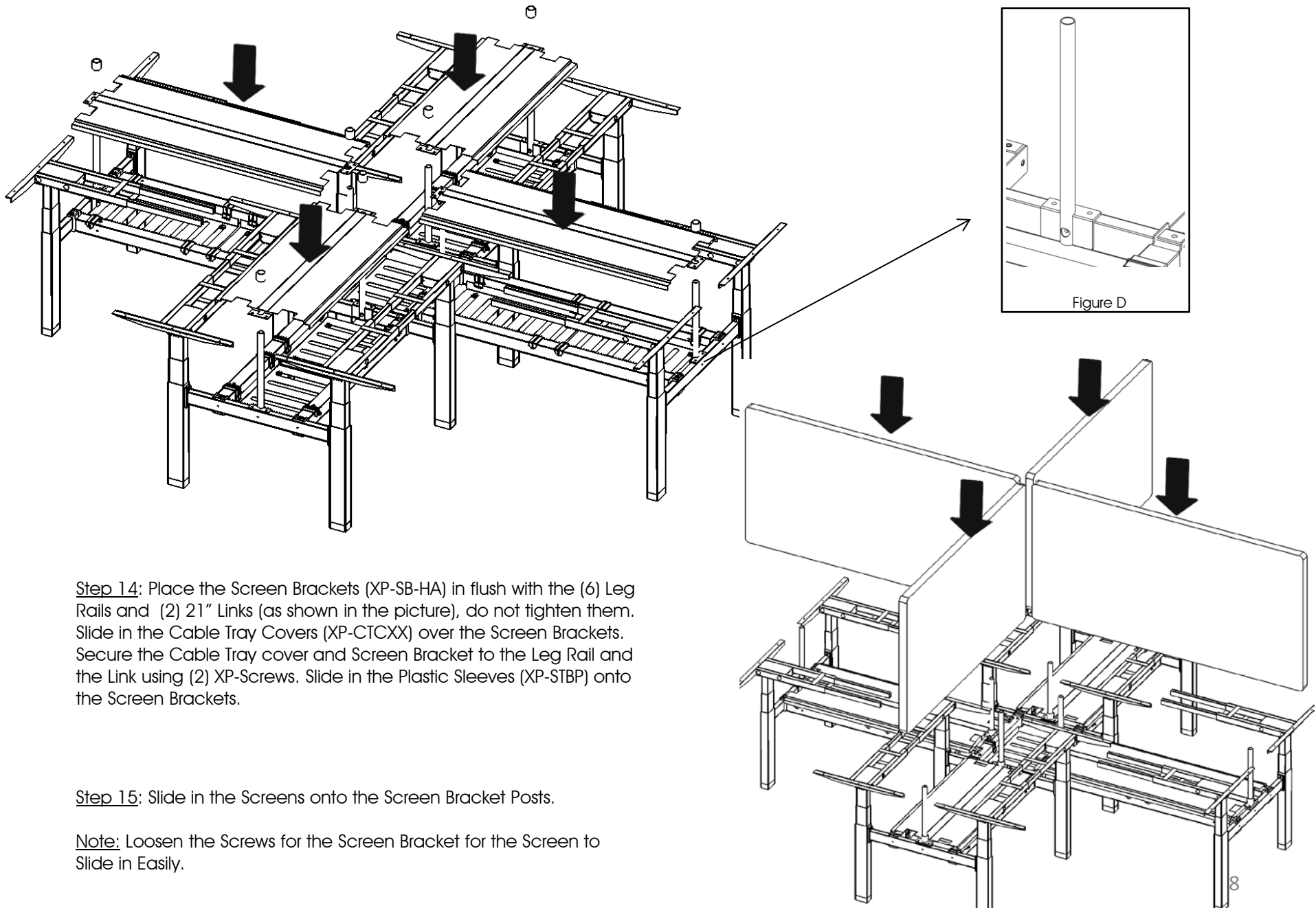
Step 12: Slide (4) Cable Tray Clips onto each cable tray and Snap on the assembled cable tray clips to the Stretcher bar.

Note: Assemble (2) XP-CTA-30 on XP-HA-SB-72 Stretcher Bar, (2) XP-CTA-18 on XP-HA-SB-60 Stretcher Bar and (1) CTA-18 onto the 21" Link.



Step 13: Using the screws provided with the HA-Base, assemble the Height Adjustable Frame to the Leg.

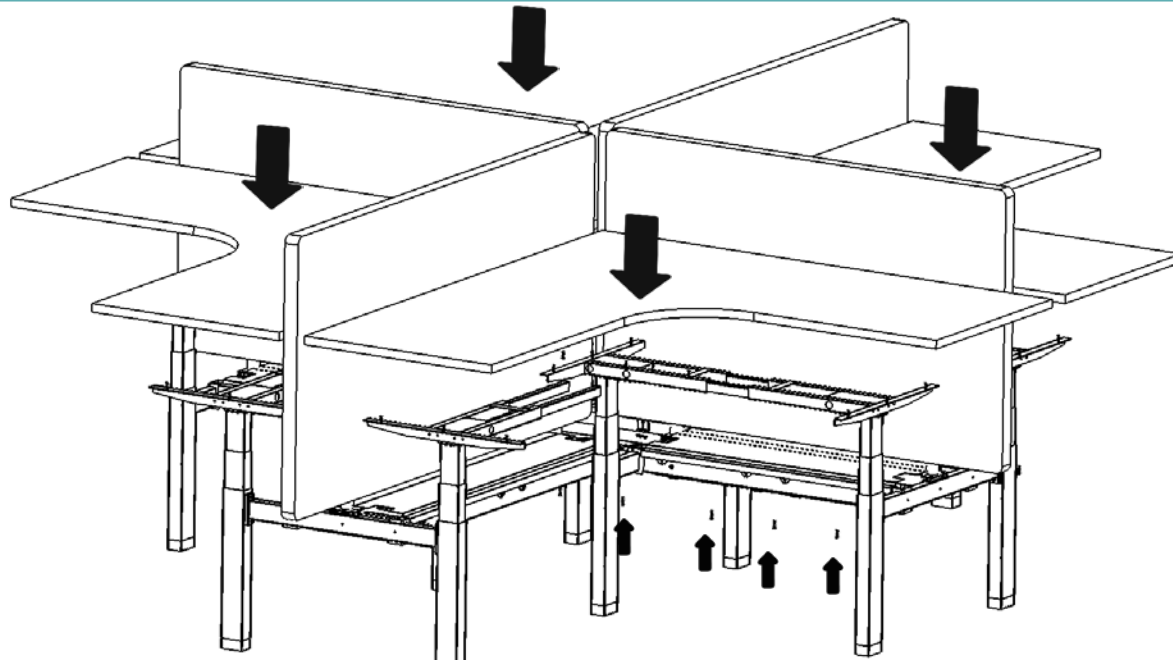




Step 14: Place the Screen Brackets (XP-SB-HA) in flush with the (6) Leg Rails and (2) 21" Links (as shown in the picture), do not tighten them. Slide in the Cable Tray Covers (XP-CTCXX) over the Screen Brackets. Secure the Cable Tray cover and Screen Bracket to the Leg Rail and the Link using (2) XP-Screws. Slide in the Plastic Sleeves (XP-STBP) onto the Screen Brackets.

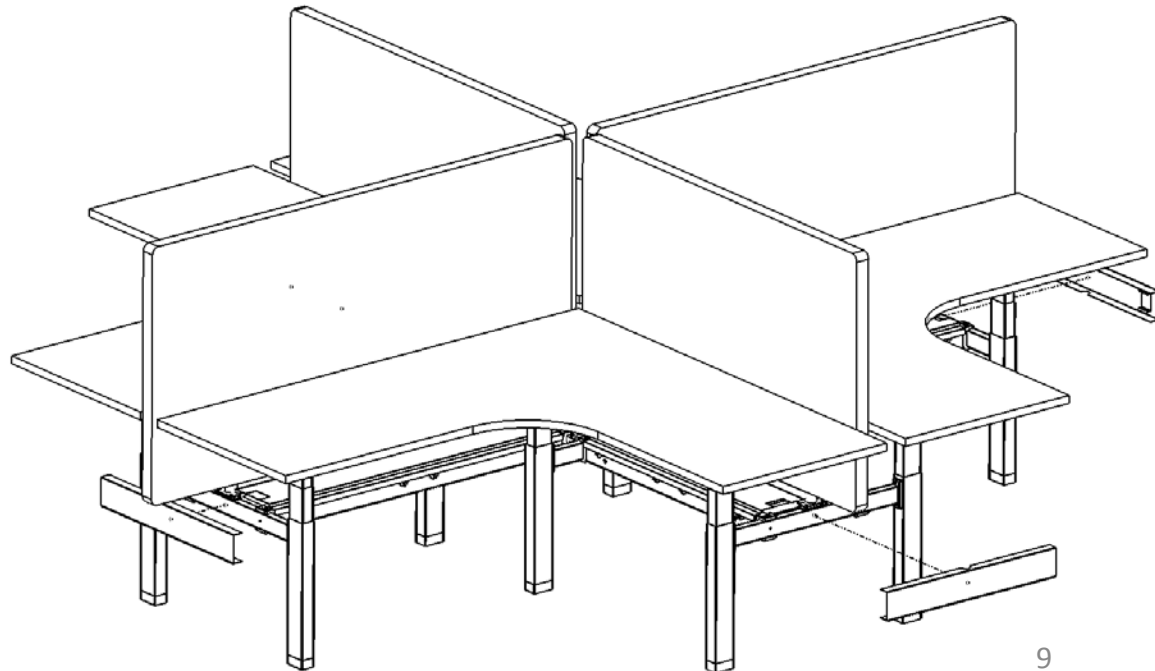
Step 15: Slide in the Screens onto the Screen Bracket Posts.

Note: Loosen the Screws for the Screen Bracket for the Screen to Slide in Easily.



Step 16: Place the Work Surface (CCWSXXXXXX) on the frame. Center the Work Surface to the Screen and secure the Work Surface to the Frame using (12) XP-Screw-WS per each Work Surface.

Step 17: Snap on the Leg Rail Covers (XP-HA-LRC-30) to the Leg Rails.



Step 18: Level the HA-legs by turning the leveling feet.