

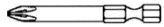
XPAND UP

Height Adjustable Dual Station– Assembly Instructions

Tools Required



Cordless Drill



Phillips bit with extension
for Work Surface screws
(XP-Screw-WS)



3/16 Hex drive bit
for XP-Screws



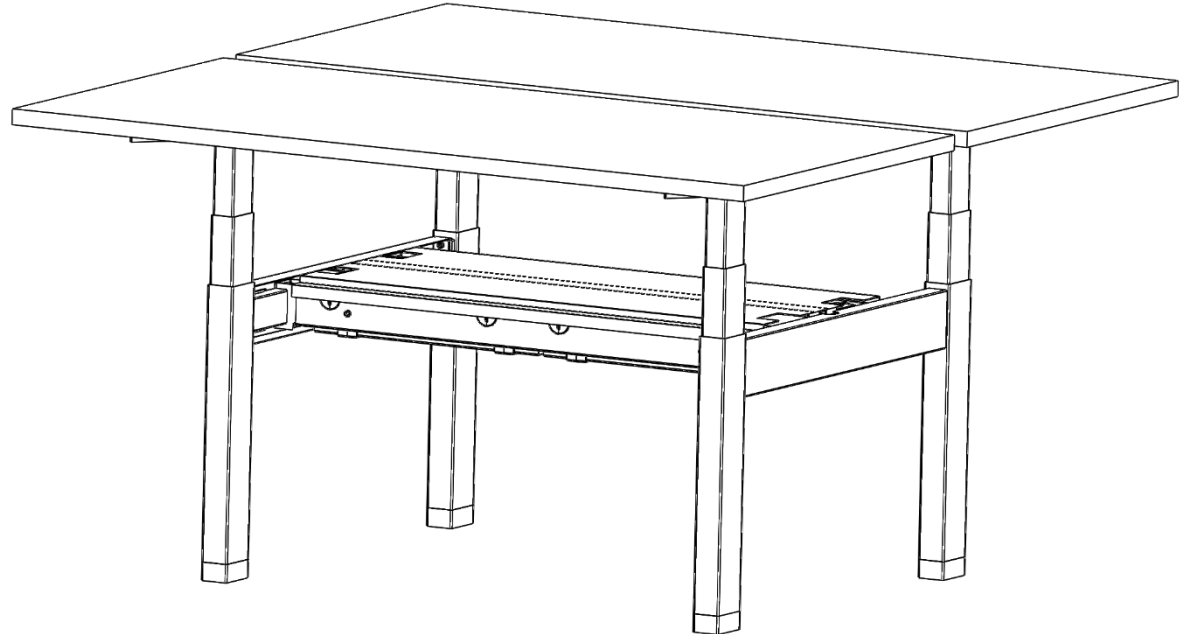
Measuring Tape



Level

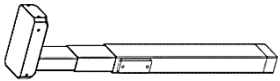
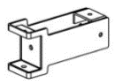

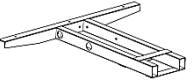

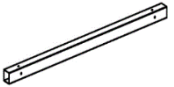
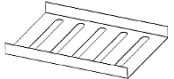






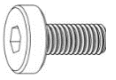
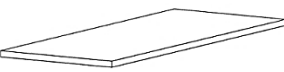
Rubber Mallet



For additional assembly support, refer to www.openplan.com
or contact 844.OPS.OPS1

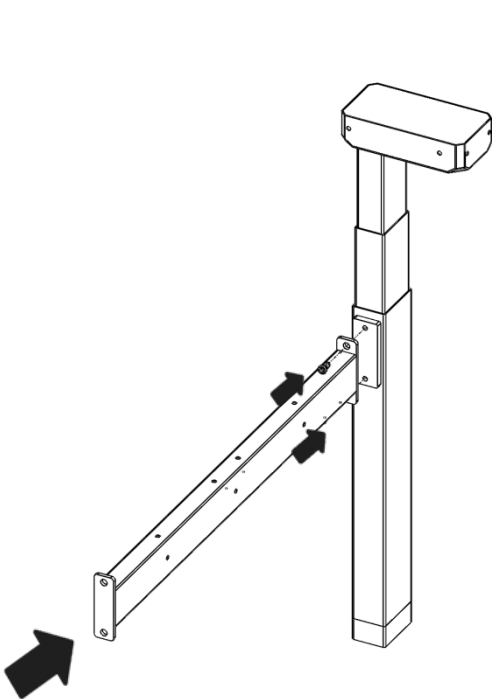
XPand Parts Used for Assembly

Item	Part name	Part Description	Image
1	XP-HA-Base, leg	Legs for XP-HA-Base	
2	XP-SB-Bracket	Stretcher Bar Bracket	
3	XP-HA-LR-30	HA- Leg Rail, 30"	
4	XP-HA-Base, Frame support	Frame support for HA-Base	
5	XP-HA-LRC-30"	Leg Rail Cover 30"	
6	XP-HA-SB-XX	Stretcher Bar, XX"	
7	XP-CTA-XX	Cable Tray	

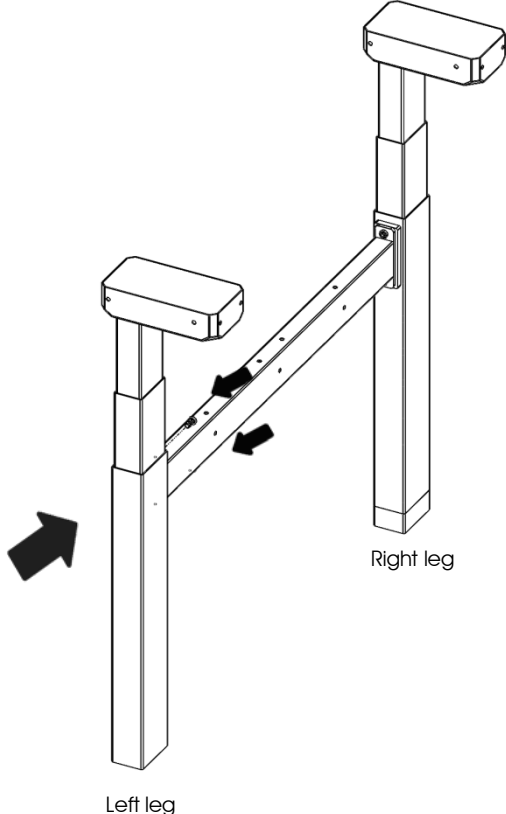
Item	Part name	Part Description	Image
8	XP-CTC	Cable Tray Clip	
9	XP-CTCXX	Cable Tray Cover, XX"	
10	HA-Base-Screw	M6X14 Hex screw	
11	XP-Screw-WS	10-9X1 PH Pan Head, ST P'bd	
12	XP-Screw	5/16-18 x .5" Hex Socket Cap	
13	XP-HA--TXXXX	HA Work Surface	

Step 1: Prepare a large floor space to put the XPand order together. Unpack the parts and check to see if all the XPand parts are present as per the sales order pick list.

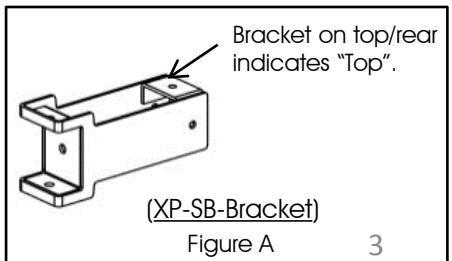
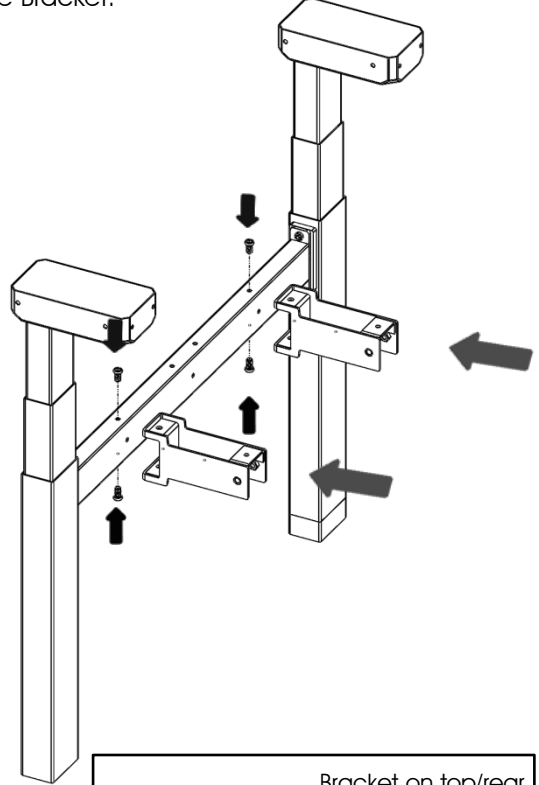
Step 2: Assemble the HA-Leg Rail (XP-HA-LR-30) to the Height Adjustable Leg using (2) XP-Screws.



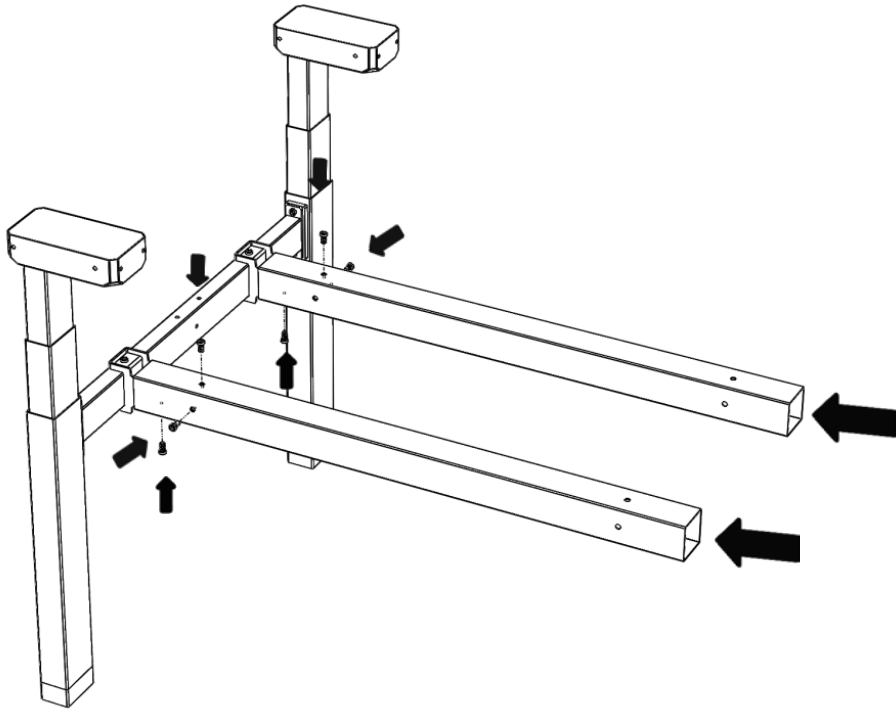
Step 3: Assemble the other end of the Leg Rail to another Height adjustable Leg using (2) XP-Screws.



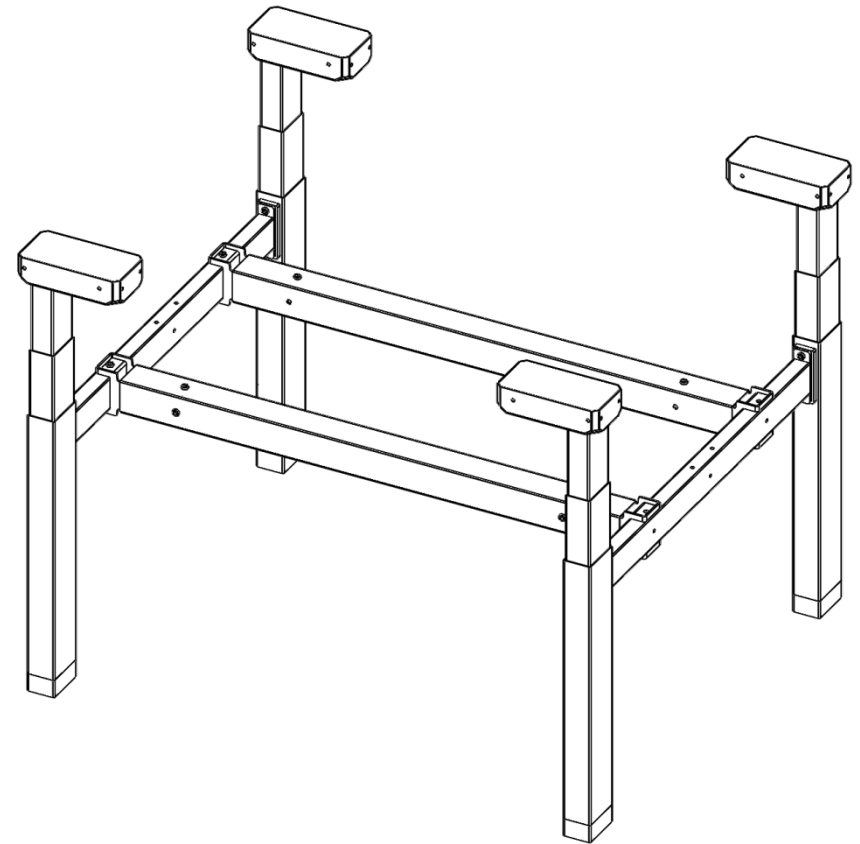
Step 4: Assemble (2) Stretcher Bar Bracket (XP-SB-Brackets) to the HA-Leg Rail using (2) XP-Screws per Bracket. Make sure the Top Face of the Bracket faces upwards. Figure A shows the Top Face of the Bracket.



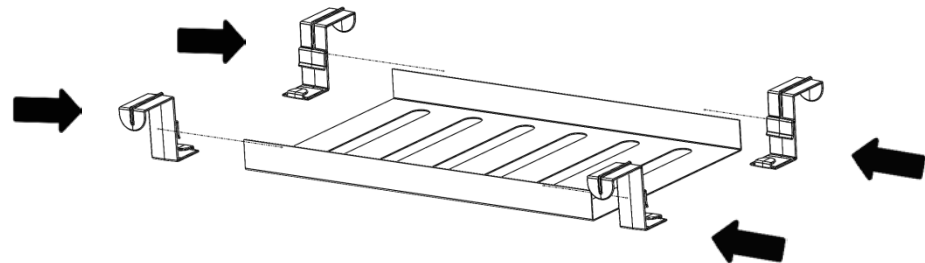
Step 5: Assemble the Stretcher Bar (XP-SB-XX) to the Stretcher Bar Bracket (XP-SB-Bracket) using (3) XP-Screws per Stretcher Bar.

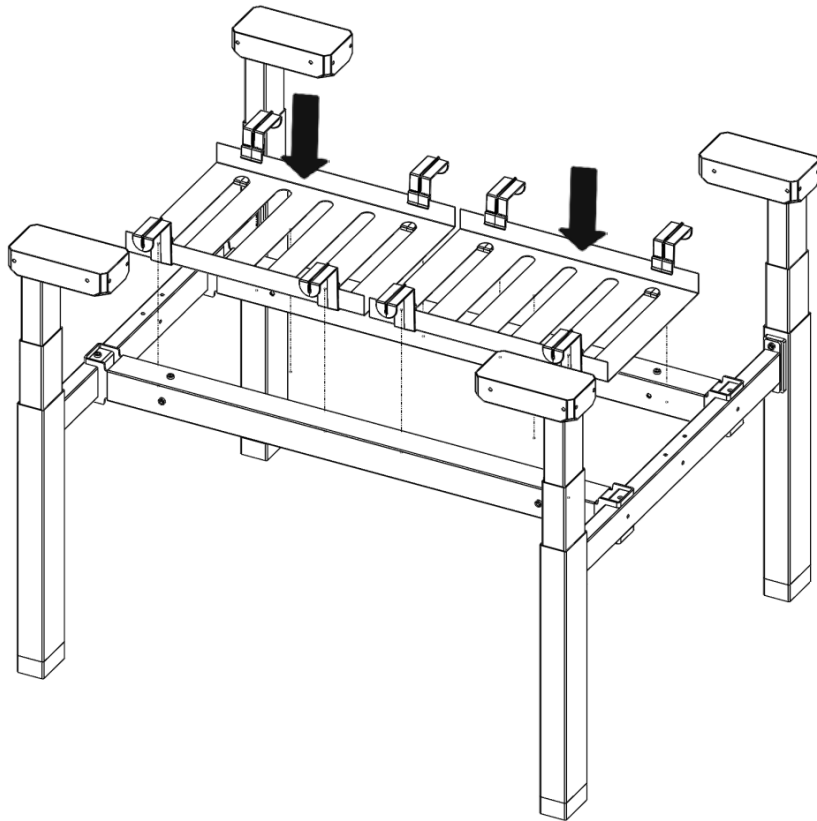


Step 6: Repeat Step 1 to Step 6 to assemble the other end of Height Adjustable Leg Assembly.



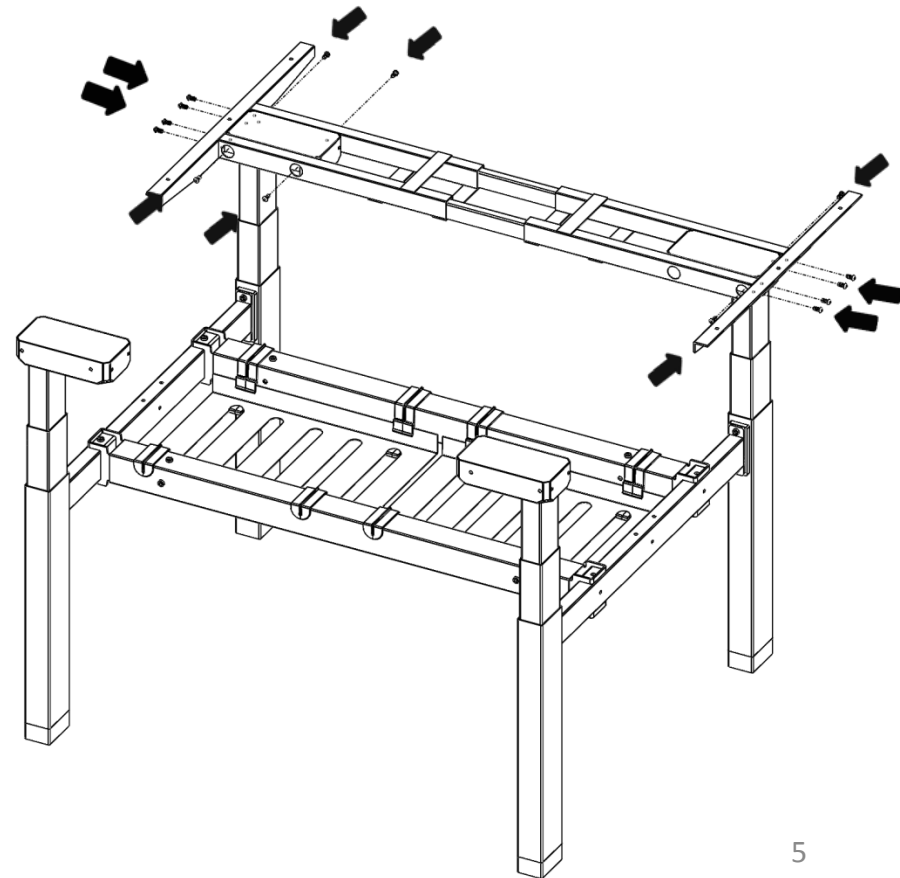
Step 7: Slide (4) Cable Tray Clips onto each cable tray.



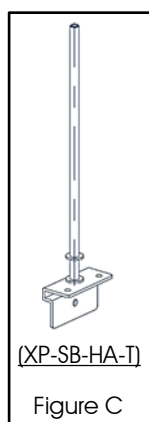
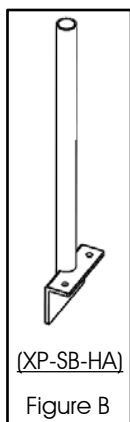
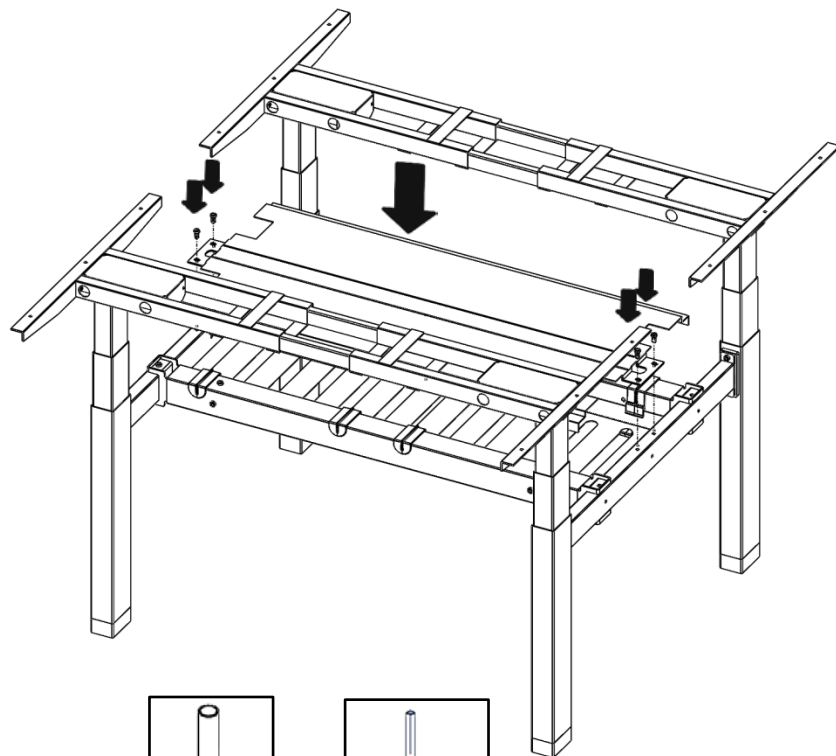


Step 9: Using the HA-Base screws provided with the HA-Base, assemble the Height Adjustable Frame to the Legs.

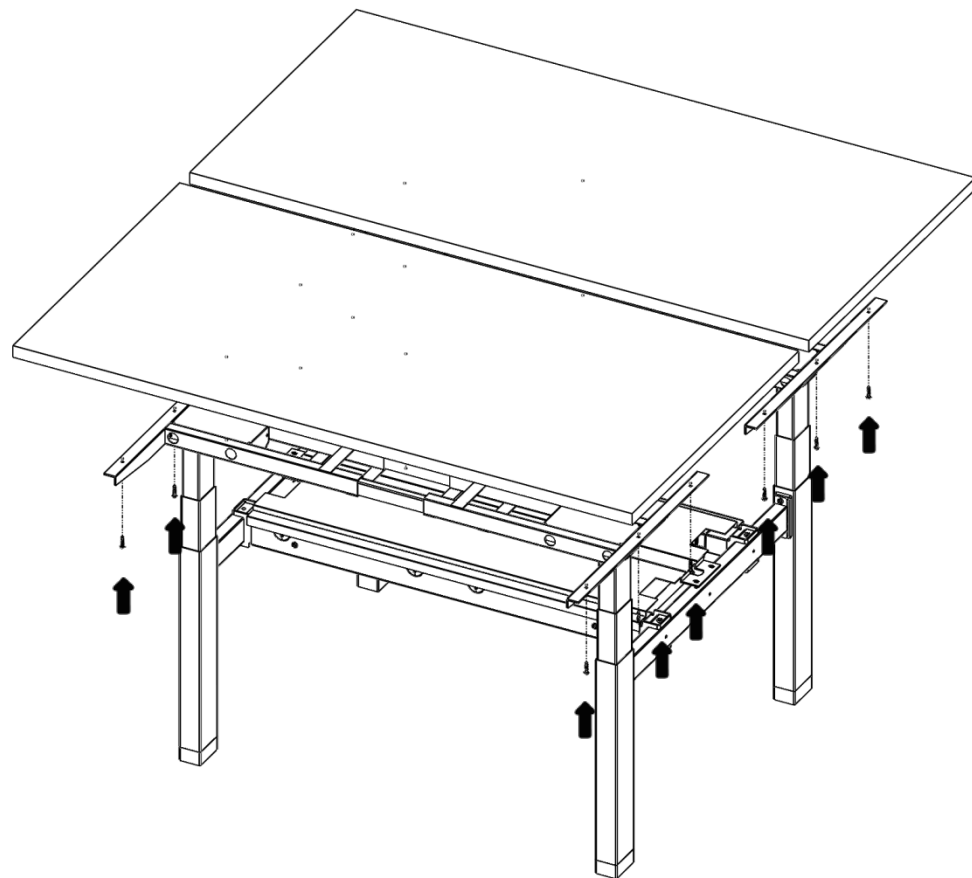
Step 8: Snap on the assembled cable tray clips to the Stretcher bar.



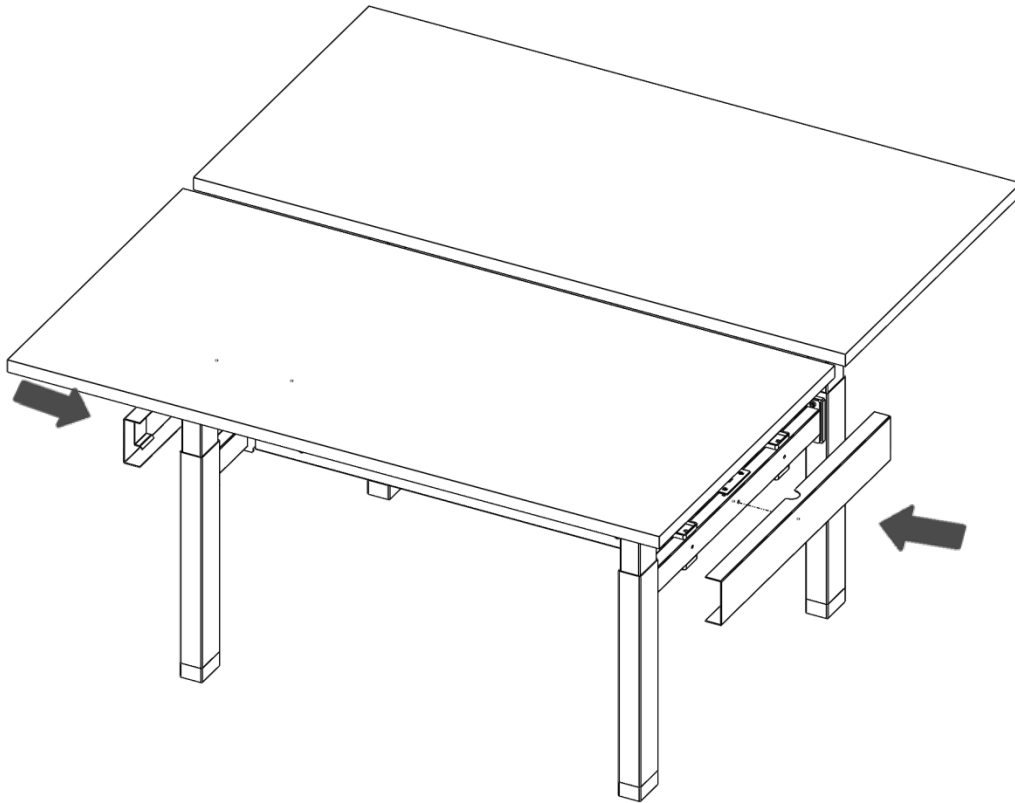
Step 11: Assemble Cable Tray Cover (XP-CTC) to the Height Adjustable Frame using (4) XP-Screws.



Step 12: Place the Work Surface (XP-HA-TXXXX) on the frame. Center the Work Surface to the frame and secure the Work Surface to the Frame using (6) XP-Screw-WS per each Work Surface.



Note: If the Fabric Screen dividers are used on the Height Adjustable Stations, slide-in the Screen Brackets (XP-SB-HA) into the covers before the Cable Tray Covers are assembled. For thin Screens XP-SB-HA-T is used instead of XP-SB-HA.



Step 13: Snap on the Leg Rail Covers (XP-LRC-XX) to the Leg Rails.

Step 14: Level the HA-legs by turning the leveling feet.