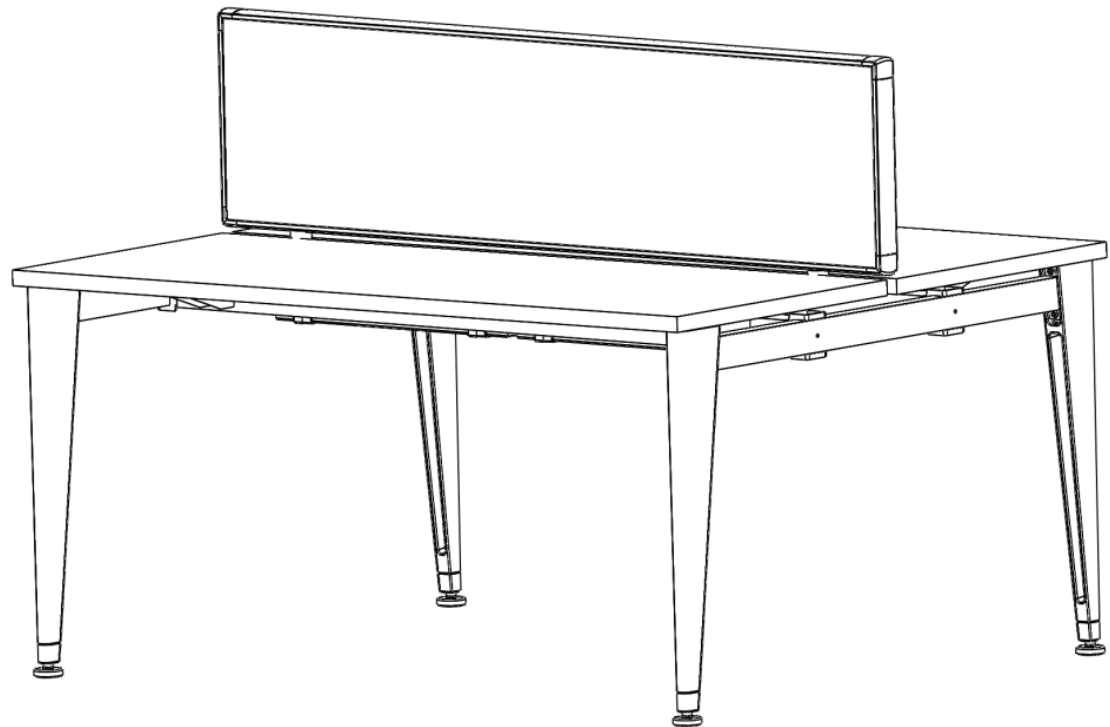
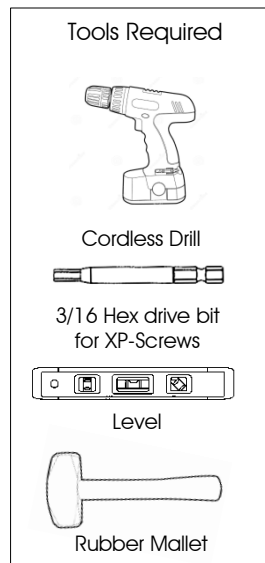


# XPAND REACH




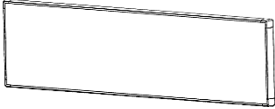


## Double Bench: Spine Screen- Assembly Instructions

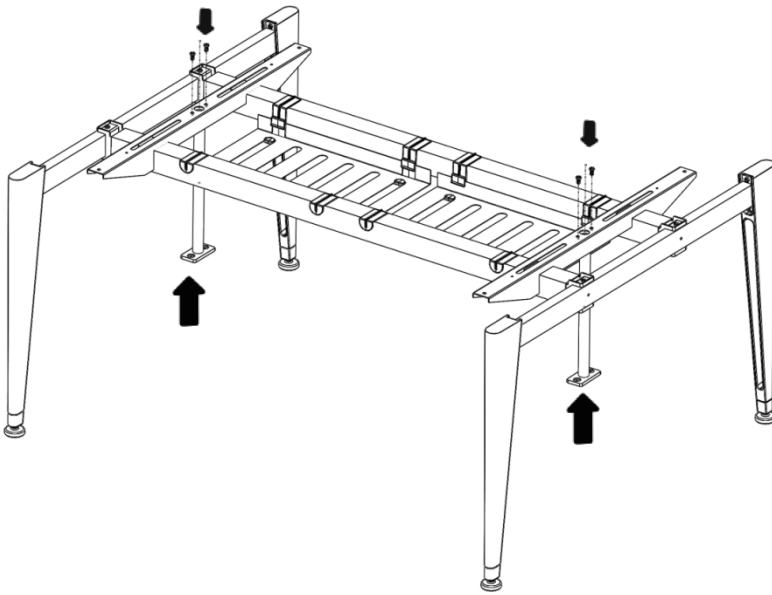


For additional assembly support, refer to [www.openplan.com](http://www.openplan.com)  
or contact 844.OPS.OPS1

# XPand Parts Used for Assembly

Item	Part name	Part Description	Image
1	XP-SB	Screen Bracket	
2	XP-STBP	Screen T-Bracket Sleeve 1.5" h	
3	XP-Screw	5/16-18 x .5" Hex Socket Cap Screw, FT, SS	
4	XP-14XX-TX-A	15"XXX" Fabric Screen Assembly	

To assemble the Spine Screen to the Double Bench, a Screen Bracket, a Plastic Sleeve and (2) XP-Screws are used. Refer to Assembly Instructions "Double Station Bench- Assembly Instructions" to build the Double Bench frame.



**Step 1:** Slide (2) Screen Brackets (XP-SB) from underneath through the center holes of the Work Surface Support Arm (XP-WSSA-XX) (shown in Figure A), and assemble the Screen Brackets to the XP-WSSA-XX using (2) XP-Screws.

**Step 2:** Slide the Plastic Sleeves (XP-STBP) onto the Screen Brackets.

**Step 3:** Position the Screen Panel such a way that the holes on the screen panel aligns with the Screen Bracket post and then slide in the Screen onto the screen bracket posts.

**Step 4:** Follow the Instructions "Double Station Bench-Assembly Instructions" to assemble the Work Surface.

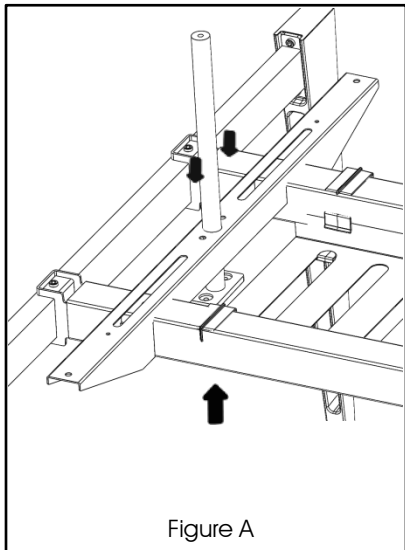
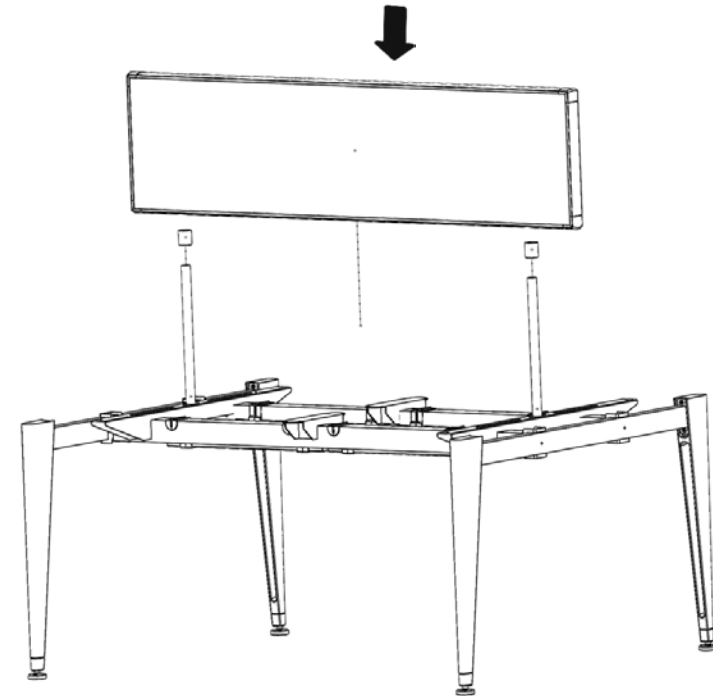


Figure A

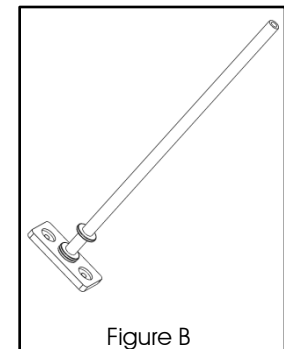


Figure B

*Note: For Thin Screens (XP-14XX-TR/TS-A-T), XP-STBP are not used. And instead of XP-SB, XP-SB-T (Shown in Figure B) with thin diameter posts are used as Screen Brackets.*