

2-STAGE STRAIGHT BASE

T-LEG SIT STAND TABLE



Our most affordable straight base with anti-collision technology and reminder features!



FINISHES **BU** **MS**

FEATURES

- Available in BU and MS finishes
- Keypad w/ 3 customizable heights
- Alert function to remind when to stand
- Anti-collision technology
- Easy assembly with fold-out T-Legs
- Can accommodate tops from 42" to 84" W (sold separately)

SKU	LIST PRICE
E-TABLE-2S-T-LEG.XX	\$1,819

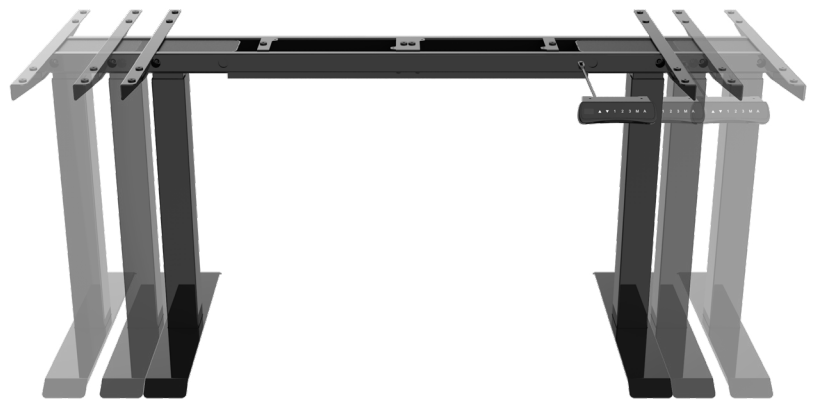
FOLD OUT LEG DESIGN

Easy to assemble with fold out pre-installed legs.



ADJUSTABLE FRAME

Designed to accommodate the perfect width top for your office.



WIRE TRAY INCLUDED



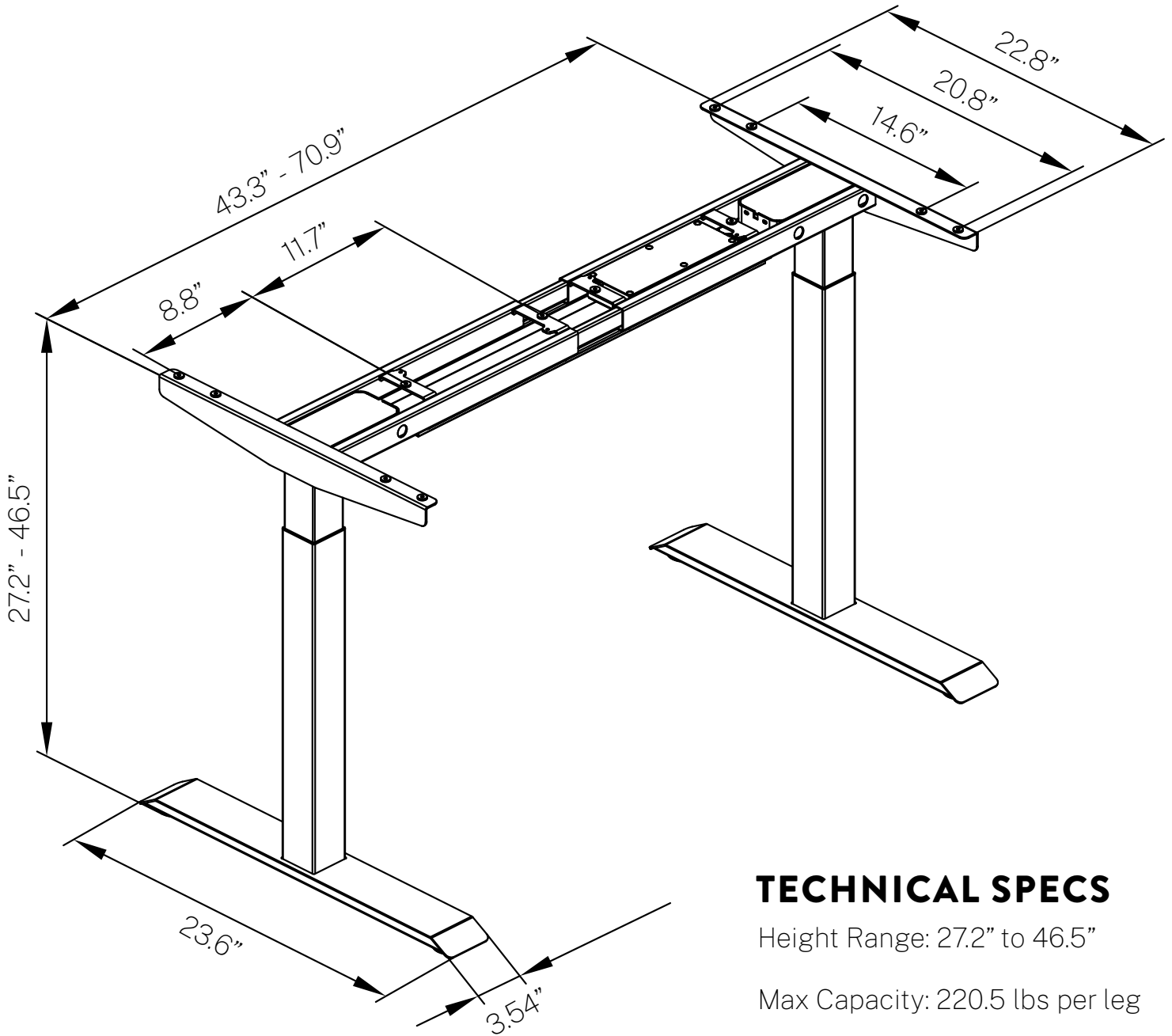
KEYPAD WITH STANDING REMINDERS

The keypad is designed to include three programmable heights, anti-collision technology, and a new reminder function to help you stay on track with your sitting and standing goals.



2-STAGE STRAIGHT BASE

T-LEG SIT STAND TABLE



TECHNICAL SPECS

Height Range: 27.2" to 46.5"

Max Capacity: 220.5 lbs per leg

Lifting Speed: 1.26 in/sec

TOP SIZES AND PRICING

	42 WIDE	48 WIDE	60 WIDE	66 WIDE	72 WIDE	78 WIDE	84 WIDE
24 DEPTH	\$355	\$379	\$445	\$479	\$539	\$579	\$569
30 DEPTH	\$425	\$455	\$545	\$599	\$669	\$695	\$705
36 DEPTH	\$545	\$569	\$635	\$705	\$799	\$869	N/A