

ENDURE

ASSEMBLY GUIDE

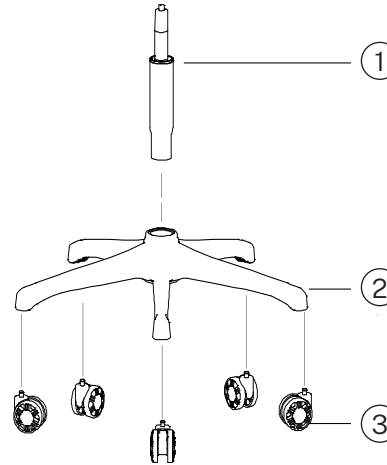


NOTE: P1 Endure task chair now ships with a mesh back. The assembly guide below shows the older style fabric back. New mesh back installs the same way and this assembly guide will be updated to show correct back style.

<p>① Gas Lift</p>	<p>⑤ Armrest</p>	<p>⑧ Back Screws (3)</p>
<p>② Base</p>	<p>⑥ Armrest Screws (6)</p>	<p>⑨ Assembled Back <i>(See note above)</i></p>
<p>③ Casters (5)</p>	<p>⑦ Allen Wrench</p>	
<p>④ Seat</p>		

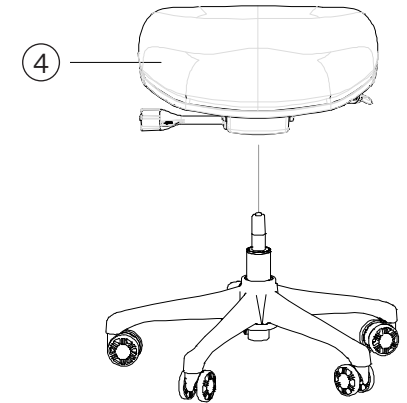
STEP 1:

1. Insert 5 casters into base
2. Insert gas lift into base



STEP 2:

1. Insert seat mechanism onto gas lift



STEP 3:

1. Insert armrests into the seat mechanism
2. Tighten screws



STEP 4:

1. Insert assembled back onto the seat mechanism
2. Tighten screws

