



# DOOR OPTIONS

## OVERVIEW

### Add a final touch of privacy

Complete your 85H office or Modular Wall enclosure with our standard or sliding doors, or add additional privacy to your existing 53H or 67H Panel or Tile stations.

### Available Products

- 85H Standard Door      pg. 2
- 53H Sliding Door      pg. 3
- 67H Sliding Door      pg. 3
- 85H Sliding Door      pg. 6

### Compatible Systems

- Modular Walls
- OPS2 Panel System
- OPS2 Tile System (85H Sliding Door excluded)
- Razor System



# STANDARD DOOR

85H

## A traditional look

Our standard 85H door comes in a left or right swing, can include a full glass cutout, as well as an accompanying side glass sidelight on the left or right (depending on swing). The standard door is compatible with our standard base and Razor base styles.

## DIMENSIONS

85H x 48W (including sidelight)  
Door panel is 36W

## SPECIFICATION

- Door comes solid as standard
- Sidelight comes with clear glass as standard
- Door panel is available in all standard paint options
- Sidelight is available in Frosted or Bronze glass, with an upcharge per door
- Door panel can have a custom cutout (shown on the right) that is 24W x 72H. Upcharge will apply per door.
- Custom cutout is available in clear, frosted or bronze glass



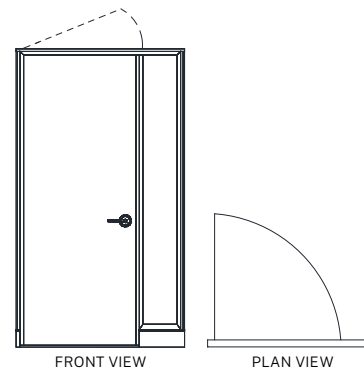
Standard Door  
(Left swing shown)



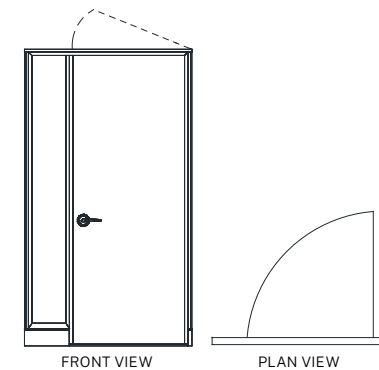
Standard Door w/ Glass Cutout  
(Available with upcharge)

## APPLICABLE SKUS

SKU	DESCRIPTION	LIST PRICE
DOORPNL85L	Door w/ Side Light- 85Hx48W- Left	\$3,079
DOORPNL85R	Door w/ Side Light- 85Hx48W- Right	\$3,079



Left Swing  
DOORPNL85L



Right Swing  
DOORPNL85R

NOTE: The swing is determined by standing outside the office.

# SLIDING DOOR

53H | 67H

## Can attach to existing stations

If you need additional privacy for your traditional 53 or 67H Panel, Tile or Razor system, our Sliding Door panel attachment, which comes with casters, can complete your ideal setup.

## DIMENSIONS

See pg. 6 & 7

## SPECIFICATION

- Sliding Doors will come standard to fit on a 36W panel and cover a 36W opening
- Optional rails can be specified to fit on a 42, 48 or 60W panel
- Standard glass option is 5mm tempered frosted glass
- Door panel is available in all standard paint options

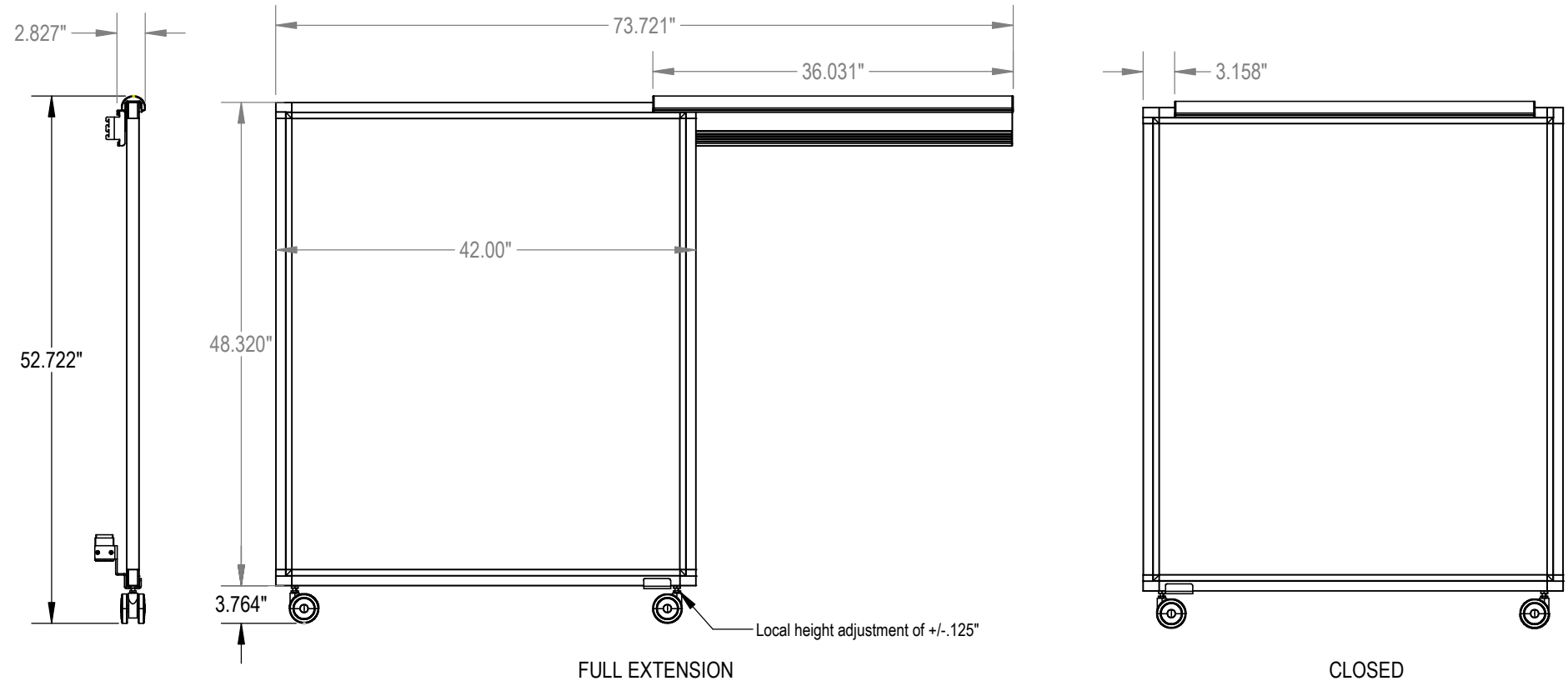
## APPLICABLE SKUS

SKU	DESCRIPTION	LIST PRICE
SLIDING-DOOR53.XX	51H X 36W Opening Overall 42"	\$1,909
SLIDING-DOOR67.XX	65H X 36W Opening Overall 42"	\$2,245
TRB42	42" Optional Rail	\$125
TRB48	48" Optional Rail	\$129
TRB60	60" Optional Rail	\$169



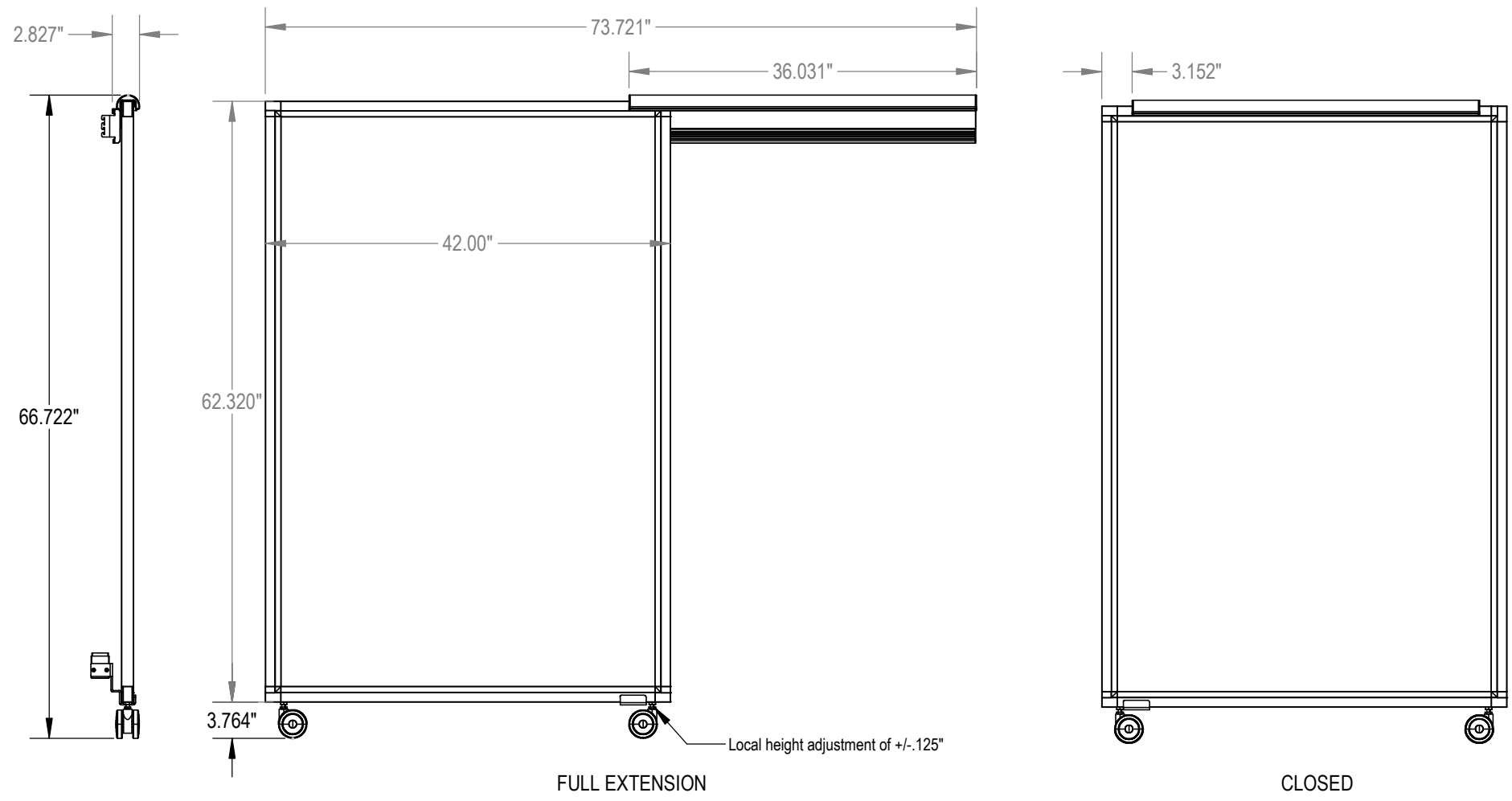
# 53H SLIDING DOOR

## DIMENSIONS



# 67H SLIDING DOOR

## DIMENSIONS



# SLIDING DOOR

85H

## Sleek, all-glass design

The stylish, all-glass sliding door is here. Add a modern look to your 85H stations with the all-glass sliding door. With a minimal, stainless glide, smooth soft-close function, this sliding door is perfect for executive offices or any office that needs a seamless design.

## SPECIFICATION

- Product includes: 36" glass door, 72" sliding rail, door pull, and a 36" wide open panel w/ threshold.
- Requires an adjacent panel 85"H X 36" wide or larger to support the sliding rail.
- Standard Glass option is clear.
- Door kit has a brush metal finish (Cannot be painted)
- Not compatible with Sixty-Five or OPS2 Tile Systems

## APPLICABLE SKU

SKU	DESCRIPTION	LIST PRICE
SLIDINGDOOR85	85H Sliding Door w/ 36" metal frame, glass door and hardware	\$4,625

**NOTE:** Adjacent Panel not included, but required to support sliding rail.



Door Pull Hardware



Lower Rail Channel



Upper Rail Channel



**Add frosting bands to your 85h door sliding glass panels.**

\$150.00 Net upcharge applies.  
Visit [openplan.com](http://openplan.com) for more information.