

CPU HOLDER

METAL SYSTEM

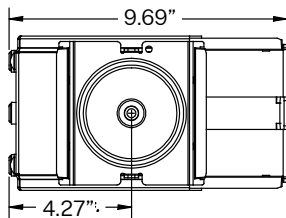


SKU: WKEZCINCH.METAL

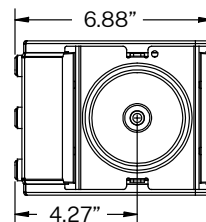
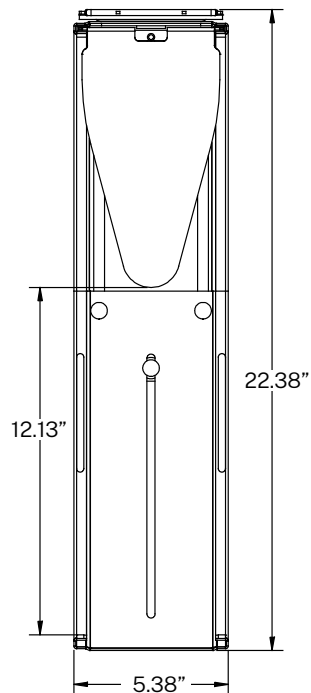
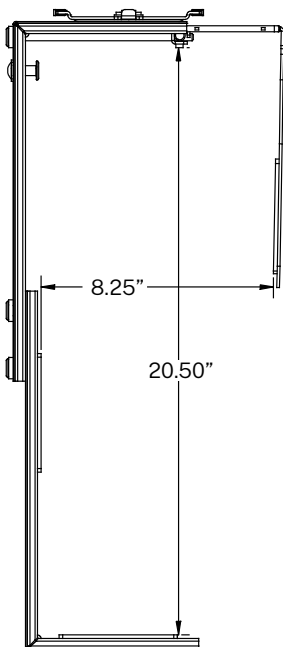
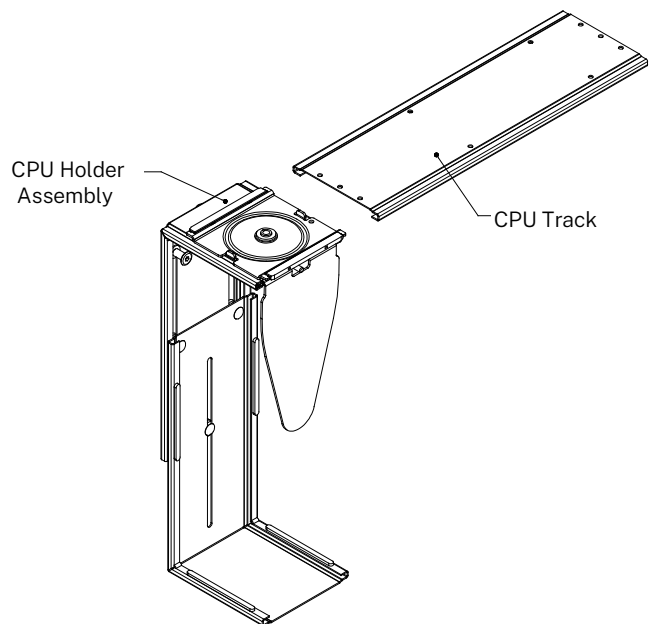
LIST PRICE: \$405

FEATURES

- Installed underneath work surfaces
- 360° swivel
- Retractable with 16" track
- Supports CPU sizes from 8.25" W to 20.5" H
- Black powder coat finish
- Protective track guard
- Supports CPU's to 50 lbs



Fully Extended View



Fully Compact View

