

85H SLIDING DOOR

FROSTED FILM APPLICATION FORM



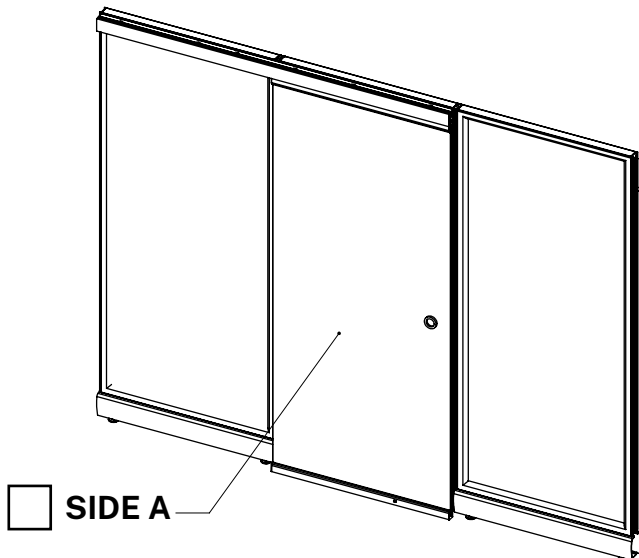
Frosted Film Example

Add frosted film to your 85H Sliding Door glass!

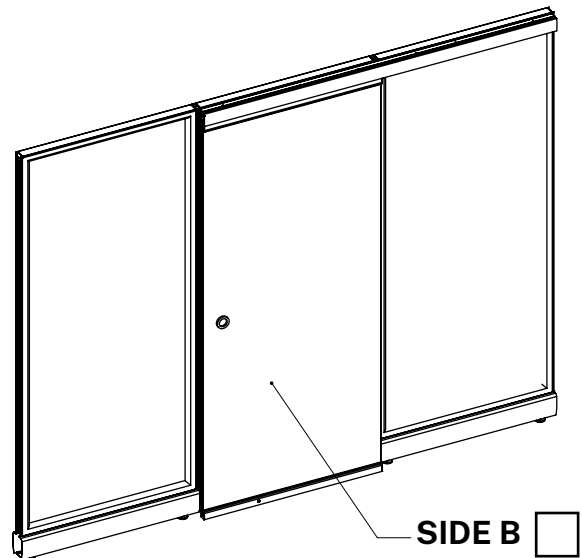
- \$150 net charge per door
- Available on tempered glass only
- Application is installed by the manufacturer, not on site
- Sliding door configuration determines which side receives the frosted film
- Use the guide below to determine which side will receive the frosted film
- For any additional questions, please contact Customer Service

Note: A similar frosted banding is available for Modular Wall glass panels, but pricing must be reviewed by Customer Service and quoted separately.

SELECT SLIDING DOOR CONFIGURATION BELOW



Left sliding door
A side is side facing out
B side is side facing in



Right sliding door
B side is side facing out
A side is side facing in