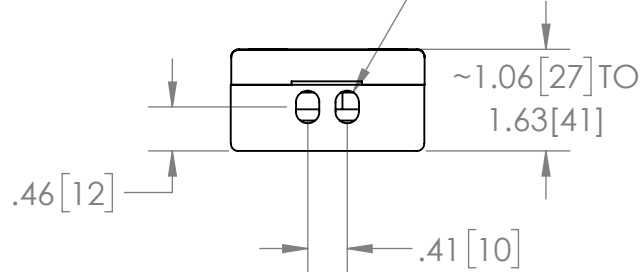
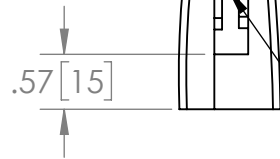


2X 5MM DRIVE CLAMPING SCREW

2X R.12 [3] X.33 [8] MOUNTING HOLES



GRIP RANGE OF .25 [6] TO .50 [13] W/ PADS AND .56 [14] W/ PADS REMOVED



REMOVABLE  $\phi$ .24 [6] X.63 [16] REMOVABLE DOWEL PIN

NOTES:

1. ALL DIMENSIONS SHOWN IN THE FORMAT INCHES [MM]
2. COMES READY TO ASSEMBLE.
3. AVAILABLE IN COLORS: BU, HF, LT, MS, MT AND WF.
4. HARDWARE KIT CONTAINS WITH TWO #10 X 1 MOUNTING SCREWS.



Open Plan Systems  
4700 Deepwater Terminal Rd  
Richmond, VA 23234  
p. 884.OPS.OPS1  
f. 804.275.2329

PROPRIETARY AND CONFIDENTIAL:  
The information contained in this drawing is the sole property of Open Plan Systems. Any reproduction or distribution, in part or as a whole, without the written permission of Open Plan Systems is prohibited.

REV	DATE	ECN	DESCRIPTION

UNLESS OTHERWISE NOTED, DEBUR AND BREAK ALL SHARP EDGES TOLERANCES:

.X +/- .063 [MM] +/- 1MM  
.XX +/- .031 ANGLES +/- 1°

APPROVED BY NM APPROVAL DATE 01/11/2021

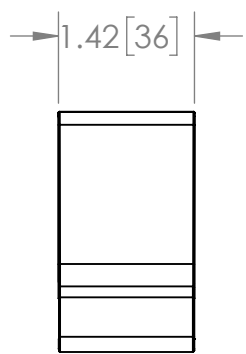
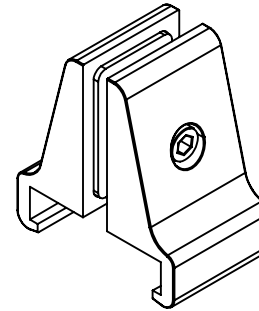
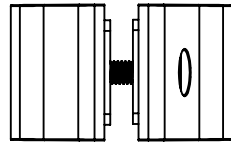
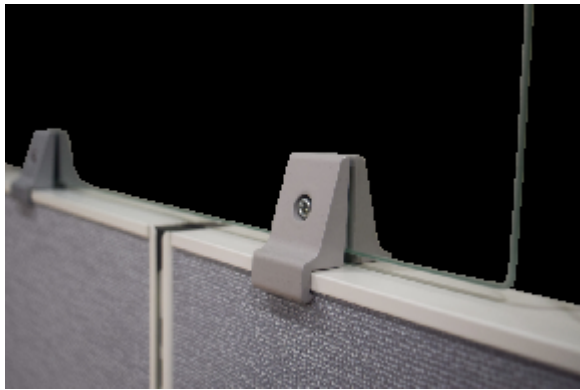
DRAWN BY NC DRAWN DATE 01/08/2021

Part # 120-00011 PGHM

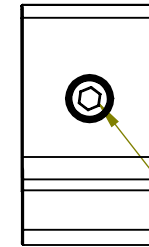
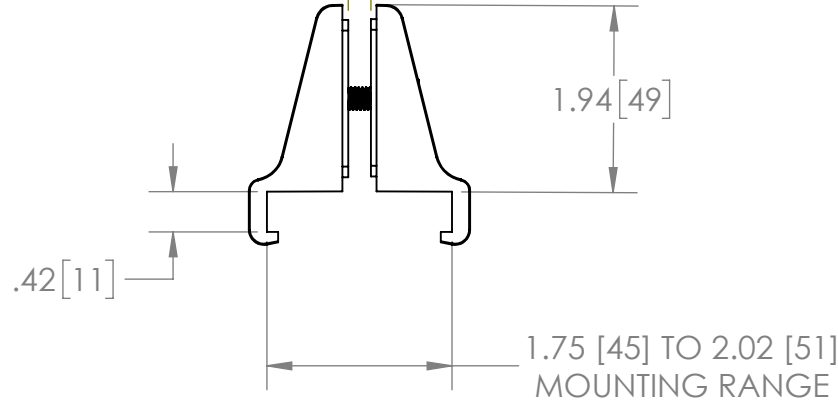
REVISION A

TITLE: 120-00011 PGHM

SHEET 1 OF 1



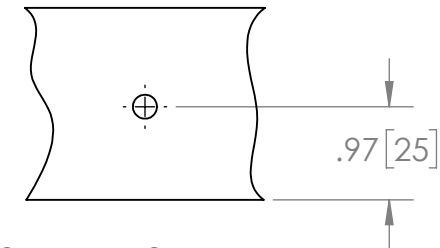
.125 [3] TO .250 [6]  
CLAMPING RANGE



5MM DRIVE  
CLAMPING SCREW

NOTES:

1. ALL DIMENSIONS SHOWN IN THE FORMAT INCHES[MM]
2. COMES READY TO ASSEMBLE.
3. AVAILABLE IN COLORS: BU, HF, LT, MS, MT AND WF



REQUIRED HOLE PATTERN  
TO MOUNT SCREEN



Open Plan Systems  
4700 Deepwater Terminal Rd  
Richmond, VA 23234  
p. 884.OPS.OPS1  
f. 804.275.2329

PROPRIETARY AND  
CONFIDENTIAL:  
The information contained in this  
drawing is the sole property of  
Open Plan Systems. Any  
reproduction or distribution, in part  
or as a whole, without the written  
permission of Open Plan Systems  
is prohibited.

REV	DATE	ECN	DESCRIPTION
-----	------	-----	-------------

UNLESS OTHERWISE NOTED, DEBUR AND  
BREAK ALL SHARP EDGES  
TOLERANCES:

.X +/- .063 [MM] +/- 1MM  
.XX +/- .031 ANGLES +/- 1°

APPROVED BY NM APPROVAL DATE 10/13/20

DRAWN BY NC DRAWN DATE 10/8/20

Part # 120-00005 PGHM-TC

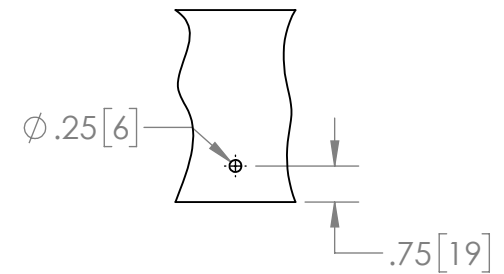
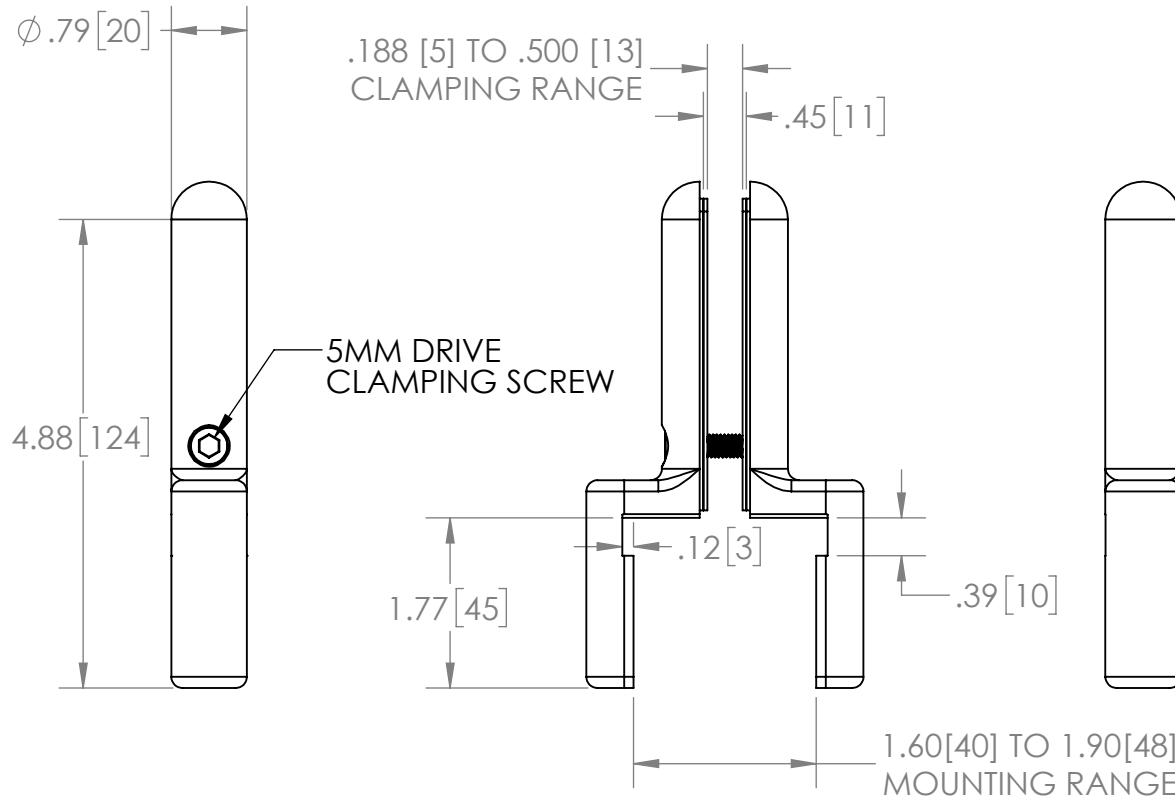
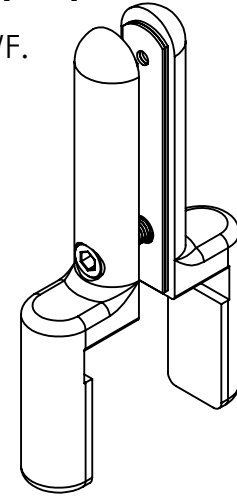
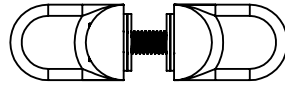
REVISION A

TITLE: 120-00005 PGHM-TC

SHEET 1 OF 1

NOTES:

1. ALL DIMENSIONS SHOWN IN THE FORMAT INCHES[MM]
2. COMES READY TO ASSEMBLE.
3. AVAILABLE IN COLORS: BU, HF, LT, MS, MT AND WF.



REQUIRED HOLE PATTERN TO MOUNT SCREEN



Open Plan Systems  
4700 Deepwater Terminal Rd  
Richmond, VA 23234  
p. 884.OPS.OPS1  
f. 804.275.2329

PROPRIETARY AND CONFIDENTIAL:  
The information contained in this drawing is the sole property of Open Plan Systems. Any reproduction or distribution, in part or as a whole, without the written permission of Open Plan Systems is prohibited.

REV	DATE	ECN	DESCRIPTION
-----	------	-----	-------------

UNLESS OTHERWISE NOTED, DEBUR AND BREAK ALL SHARP EDGES TOLERANCES:

.X +/- .063 [MM] +/- 1MM  
.XX +/- .031 ANGLES +/- 1°

APPROVED BY RDM APPROVAL DATE 11/04/2020

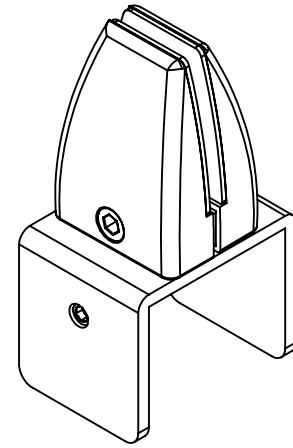
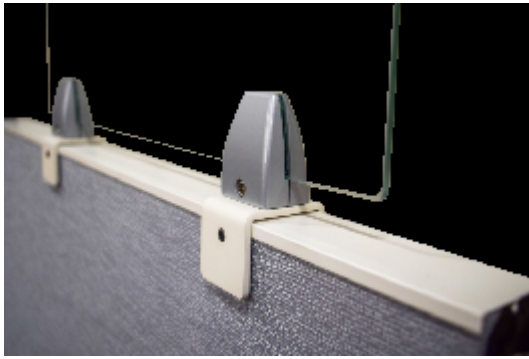
DRAWN BY NC DRAWN DATE 10/19/2020

Part # 120-00007 PGHM-N

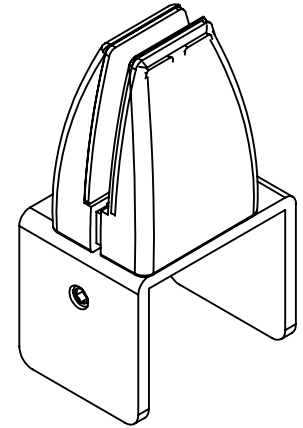
REVISION A

TITLE: TOP MOUNT PANEL GLASS HOLDER - GOAL POST STYLE

SHEET 1 OF 1



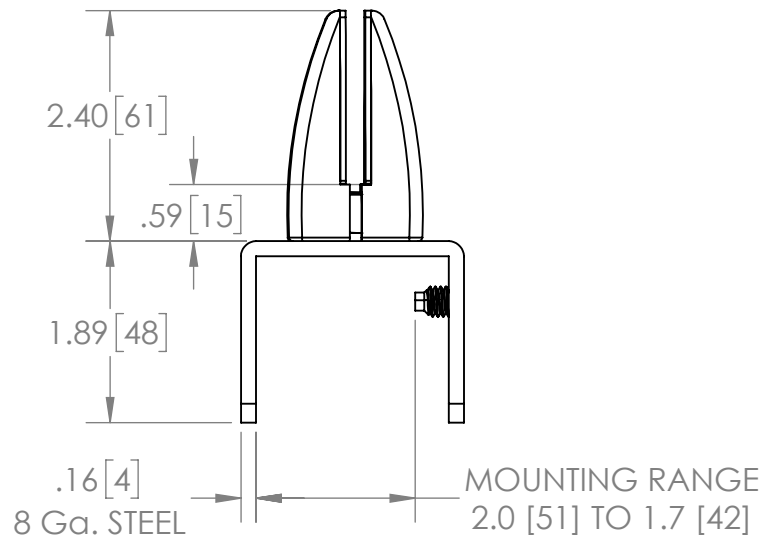
0 DEGREE



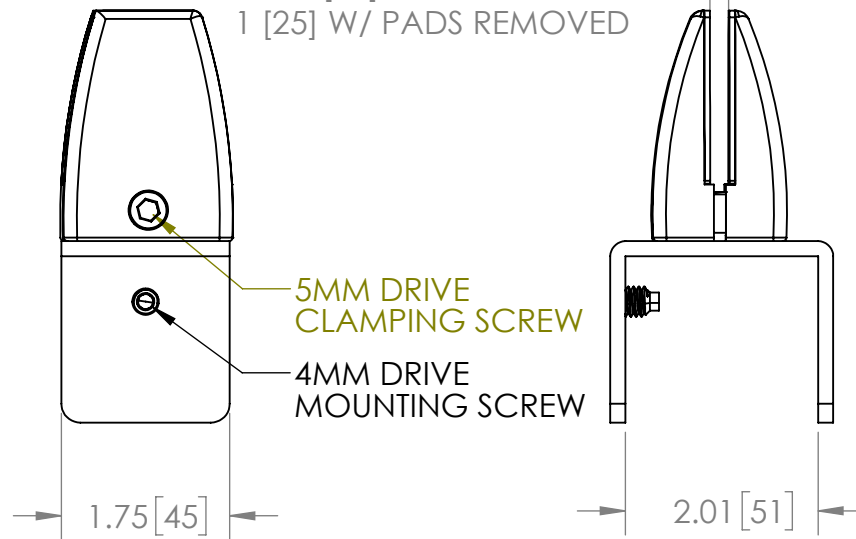
90 DEG.

NOTES:

1. ALL DIMENSIONS SHOWN IN THE FORMAT INCHES[MM]
2. COMES READY TO ASSEMBLE.
3. AVAILABLE IN COLORS: BU, HF, LT, MS, MT AND WF.
4. HARDWARE KIT COMES WITH TWO CLAMPING SCREWS TO ACHIEVE FULL RANGE.
5. CAN BE MOUNTED TO BASE AT 0 AND 90 DEG.



GRIP RANGE OF .125 [3] TO .938[24] W/ PADS AND 1 [25] W/ PADS REMOVED

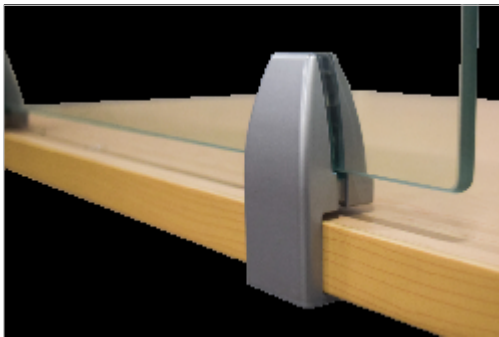


Open Plan Systems  
4700 Deepwater Terminal Rd  
Richmond, VA 23234  
p. 884.OPS.OPS1  
f. 804.275.2329

PROPRIETARY AND CONFIDENTIAL:  
The information contained in this drawing is the sole property of Open Plan Systems. Any reproduction or distribution, in part or as a whole, without the written permission of Open Plan Systems is prohibited.

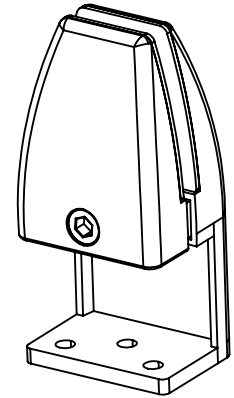
REV	DATE	ECN	DESCRIPTION

UNLESS OTHERWISE NOTED, DEBUR AND BREAK ALL SHARP EDGES TOLERANCES:		APPROVED BY	APPROVAL DATE
.X +/- .063	[MM] +/- 1MM	RM	10/13/20
.XX +/- .031	ANGLES +/- 1°	DRAWN BY	DRAWN DATE
		ncorbo	06/05/2020
Part #	120-00004 PGHM-UP	REVISION	A
TITLE:	120-00004 PGHM-UP	SHEET 1 OF 1	

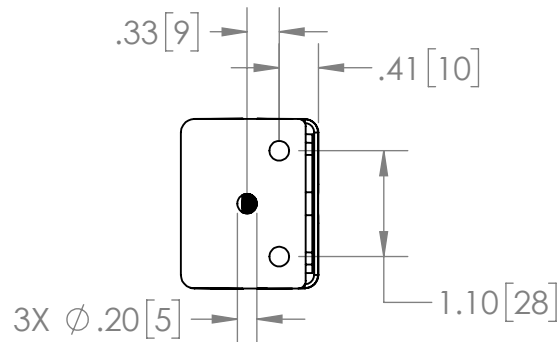
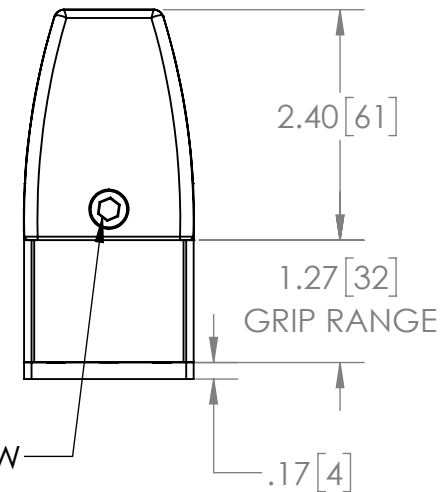
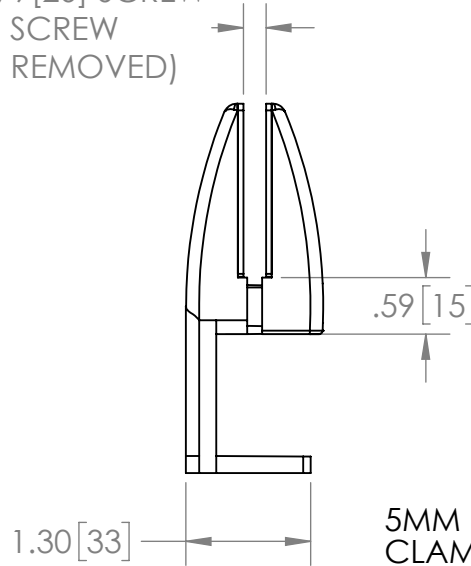
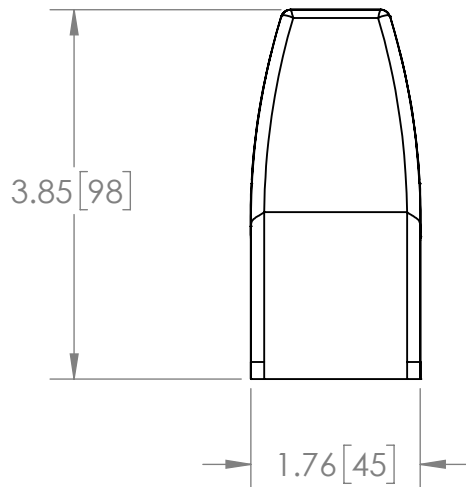


NOTES:

1. ALL DIMENSIONS SHOWN IN THE FORMAT INCHES[MM]
2. COMES READY TO ASSEMBLE.
3. AVAILABLE IN COLORS: BU, HF, LT, MS, MT AND WF.
4. HARDWARE KIT COMES WITH TWO CLAMPING SCREWS TO ACHIEVE FULL RANGE AND THREE WOOD SCREWS FOR MOUNTING TO SURFACE.



GRIP RANGE OF .19[5] TO .38[10] W/ .79[20] SCREW  
 AND .5[13] TO .94[24] W/ 1.34[34] SCREW  
 (GRIP RANGE GAINS .125[3] W/ PADS REMOVED)

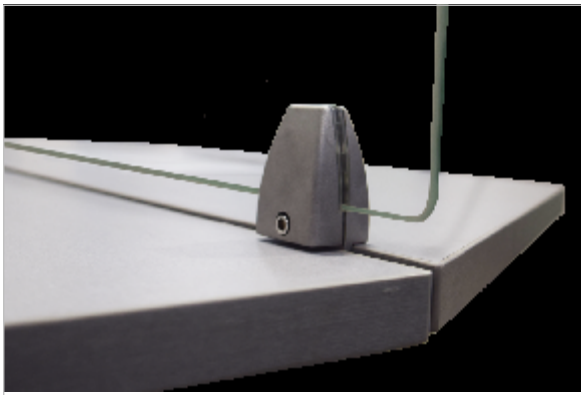


Open Plan Systems  
 4700 Deepwater Terminal Rd  
 Richmond, VA 23234  
 p. 884.OPS.OPS1  
 f. 804.275.2329

PROPRIETARY AND CONFIDENTIAL:  
 The information contained in this drawing is the sole property of Open Plan Systems. Any reproduction or distribution, in part or as a whole, without the written permission of Open Plan Systems is prohibited.

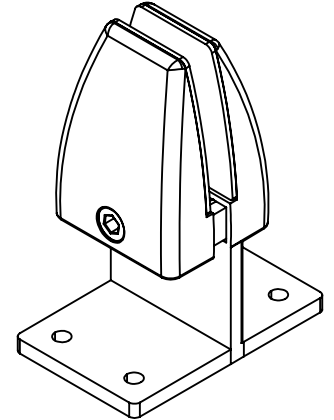
REV	DATE	ECN	DESCRIPTION

UNLESS OTHERWISE NOTED, DEBUR AND BREAK ALL SHARP EDGES TOLERANCES:		DRAWN BY	DRAWN DATE
.X +/- .063	.XXX +/- .016	NM	1/29/2021
.XX +/- .031	ANGLES +/- 1°	APPROVED BY	APPROVED DATE
PART #		REVISION	
120-00012 PGHM-L		A	
TITLE:			SHEET 1 OF 1
TOP MOUNT PANEL GLASS HOLDER - L STYLE			

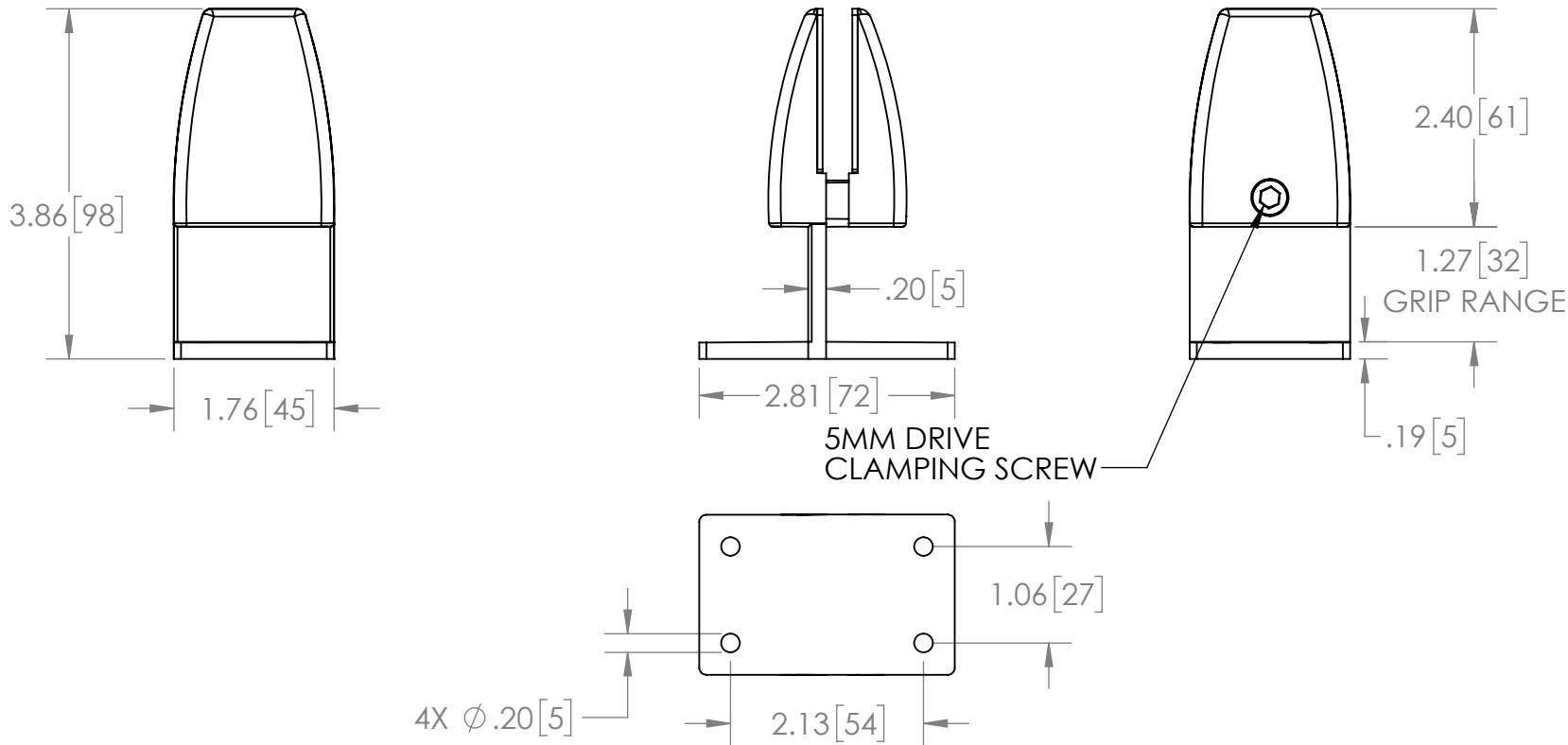


**NOTES:**

1. ALL DIMENSIONS SHOWN IN THE FORMAT INCHES[MM]
2. COMES READY TO ASSEMBLE.
3. AVAILABLE IN COLORS: BU, HF, LT, MS, MT AND WF.
4. HARDWARE KIT COMES WITH TWO CLAMPING SCREWS TO ACHIEVE FULL RANGE AND FOUR WOOD SCREWS FOR MOUNTING TO SURFACE.



GRIP RANGE OF .19[5] TO .38[10] W/ .79[20] SCREW  
AND .5[13] TO .94[24] W/ 1.34[34] SCREW



Open Plan Systems  
4700 Deepwater Terminal Rd  
Richmond, VA 23234  
p. 884.OPS.OPS1  
f. 804.275.2329

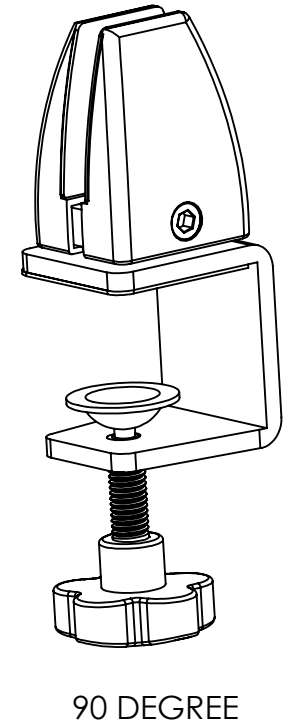
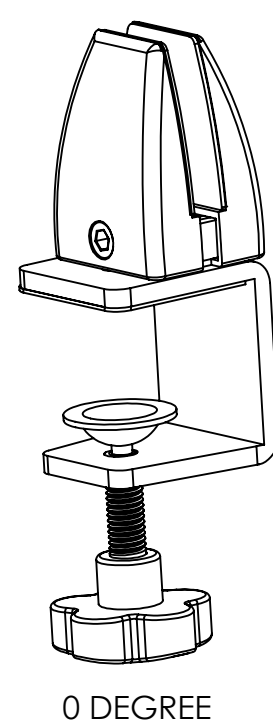
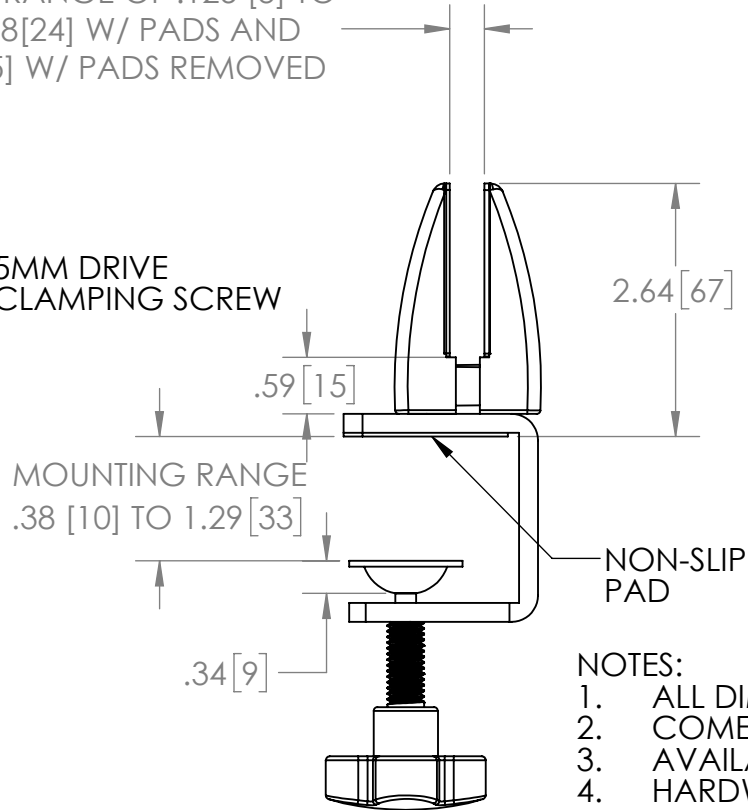
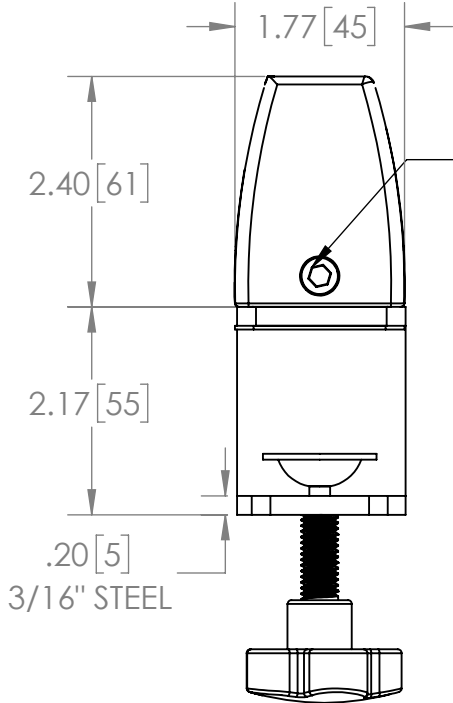
**PROPRIETARY AND CONFIDENTIAL:**  
The information contained in this drawing is the sole property of Open Plan Systems. Any reproduction or distribution, in part or as a whole, without the written permission of Open Plan Systems is prohibited.

REV	DATE	ECN	DESCRIPTION

UNLESS OTHERWISE NOTED, DEBUR AND BREAK ALL SHARP EDGES TOLERANCES: .X +/- .063 [MM] +/- 1MM .XX +/- .031 ANGLES +/- 1°	APPROVED BY NM	APPROVAL DATE 01/29/2021
	DRAWN BY NC	DRAWN DATE 05/29/2020
Part # 120-00013 PGHM-H	REVISION A	
TITLE: TOP MOUNT PANEL GLASS HOLDER - H STYLE	SHEET 1 OF 1	



GRIP RANGE OF .125 [3] TO  
.938[24] W/ PADS AND  
1 [25] W/ PADS REMOVED



NOTES:

1. ALL DIMENSIONS SHOWN IN THE FORMAT INCHES[MM]
2. COMES READY TO ASSEMBLE.
3. AVAILABLE IN COLORS: BU, HF, LT, MS, MT AND WF.
4. HARDWARE KIT COMES WITH TWO CLAMPING SCREWS TO ACHIEVE FULL RANGE.
5. CAN BE MOUNTED TO BASE AT 0 AND 90 DEG.



Open Plan Systems  
4700 Deepwater Terminal Rd  
Richmond, VA 23234  
p. 884.OPS.OPS1  
f. 804.275.2329

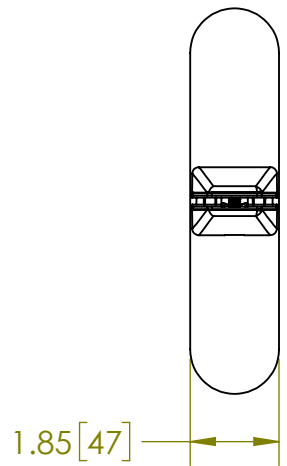
PROPRIETARY AND  
CONFIDENTIAL:  
The information contained in this  
drawing is the sole property of  
Open Plan Systems. Any  
reproduction or distribution, in part  
or as a whole, without the written  
permission of Open Plan Systems  
is prohibited.

REV	DATE	ECN	DESCRIPTION
-----	------	-----	-------------

UNLESS OTHERWISE NOTED, DEBUR AND BREAK ALL SHARP EDGES TOLERANCES:		APPROVED BY NM	APPROVAL DATE 12/21/2020
.X +/- .063	[MM] +/- 1MM	DRAWN BY NC	DRAWN DATE 12/21/2020
.XX +/- .031	ANGLES +/- 1°		

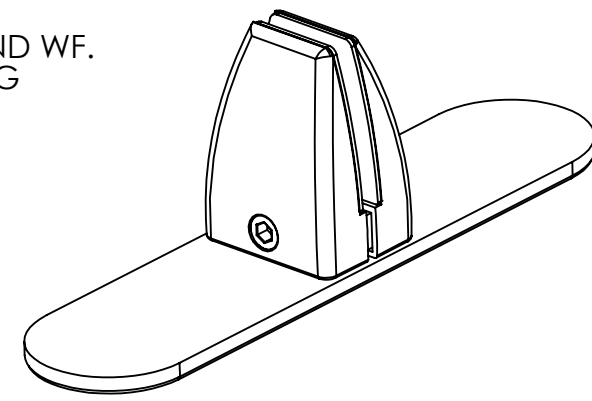
Part #	120-00010 PGHM-UC	REVISION A
--------	-------------------	---------------

TITLE:	120-00010 PGHM-UC	SHEET 1 OF 1
--------	-------------------	--------------

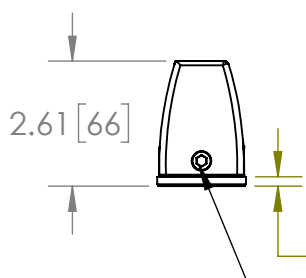


NOTES:

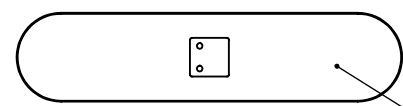
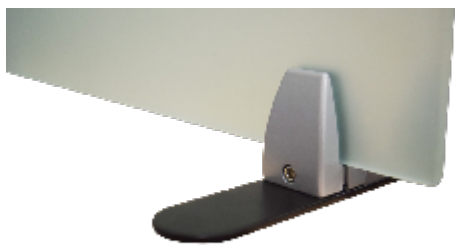
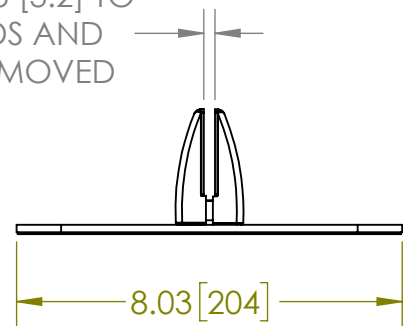
1. ALL DIMENSIONS SHOWN IN THE FORMAT INCHES[MM]
2. COMES READY TO ASSEMBLE.
3. AVAILABLE IN COLORS: BU, HF, LT, MS, MT AND WF.
4. HARDWARE KIT COMES WITH TWO CLAMPING SCREWS TO ACHIEVE FULL RANGE.



GRIP RANGE OF .125 [3.2] TO  
.938 [23.8] W/ PADS AND  
1 [25.4] W/PADS REMOVED



5MM DRIVE  
CLAMPING SCREW



NON SLIP FELT PAD PROVIDED



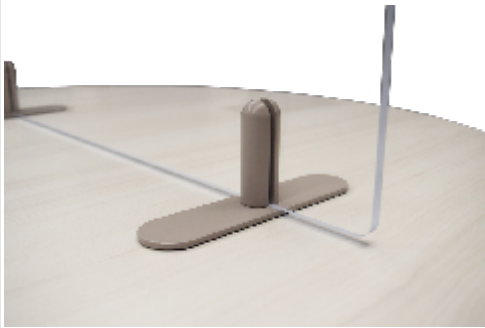
Open Plan Systems  
4700 Deepwater Terminal Rd  
Richmond, VA 23234  
p. 884.OPS.OPS1  
f. 804.275.2329

PROPRIETARY AND  
CONFIDENTIAL:  
The information contained in this  
drawing is the sole property of  
Open Plan Systems. Any  
reproduction or distribution, in part  
or as a whole, without the written  
permission of Open Plan Systems  
is prohibited.

REV	DATE	ECN	DESCRIPTION

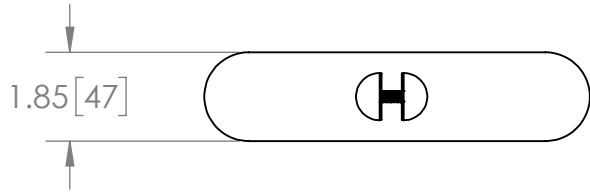
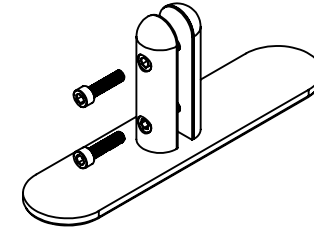
UNLESS OTHERWISE NOTED, DEBUR AND BREAK ALL SHARP EDGES TOLERANCES:		APPROVED BY RM	APPROVAL DATE 10/13/20
.X +/- .063 [MM]	+/- 1MM	DRAWN BY ncorbo	DRAWN DATE 05/29/2020
.XX +/- .031	ANGLES +/- 1°	REVISION A	
Part # 120-00001 PGHM-UFS			SHEET 1 OF 1
TITLE: 120-00001 PGHM-UFS			



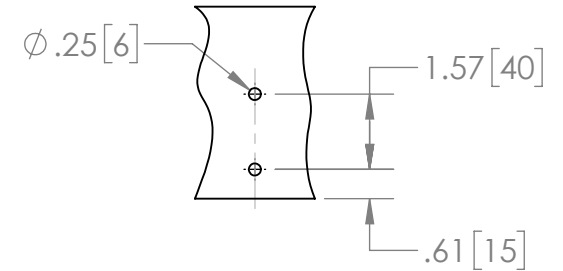
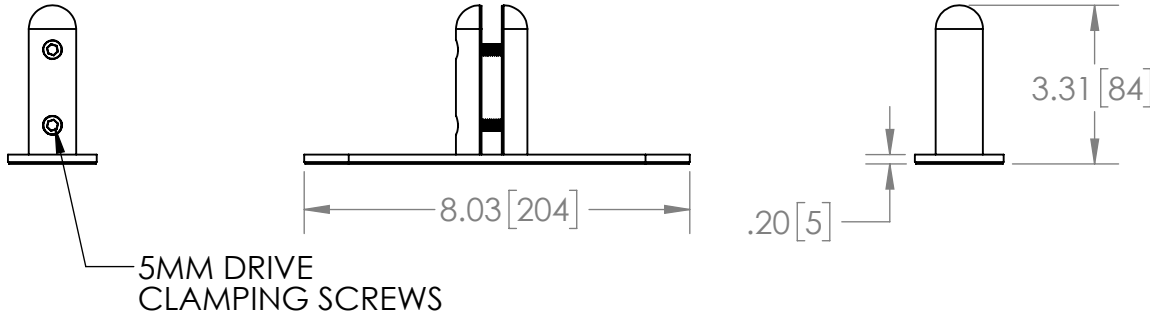


NOTES:

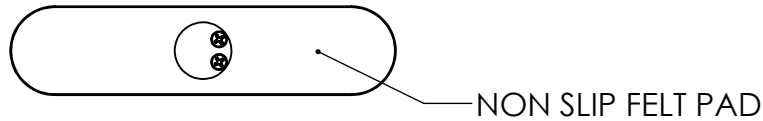
1. ALL DIMENSIONS SHOWN IN THE FORMAT INCHES[MM]
2. COMES READY TO ASSEMBLE.
3. AVAILABLE IN COLORS: BU, HF, LT, MS, MT AND WF.
4. HARDWARE KIT COMES WITH FOUR CLAMPING SCREWS TO ACHIEVE FULL RANGE.



GRIP RANGE OF  
.125 [3] TO .563 [14]



REQUIRED HOLE PATTERNS  
TO MOUNT SCREEN



Open Plan Systems  
4700 Deepwater Terminal Rd  
Richmond, VA 23234  
p. 884.OPS.OPS1  
f. 804.275.2329

PROPRIETARY AND  
CONFIDENTIAL:  
The information contained in this  
drawing is the sole property of  
Open Plan Systems. Any  
reproduction or distribution, in part  
or as a whole, without the written  
permission of Open Plan Systems  
is prohibited.

REV	DATE	ECN	DESCRIPTION
-----	------	-----	-------------

UNLESS OTHERWISE NOTED, DEBUR AND  
BREAK ALL SHARP EDGES  
TOLERANCES:

.X +/- .063 [MM] +/- 1MM  
.XX +/- .031 ANGLES +/- 1°

APPROVED BY RM APPROVAL DATE 10/13/20

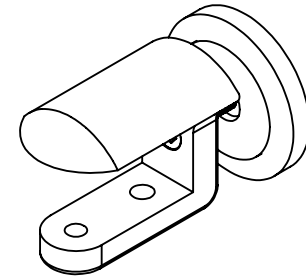
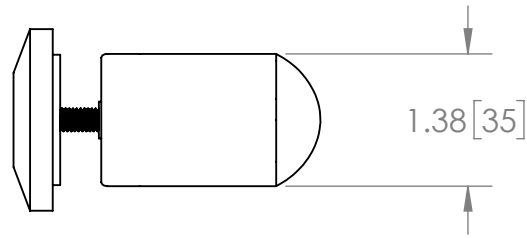
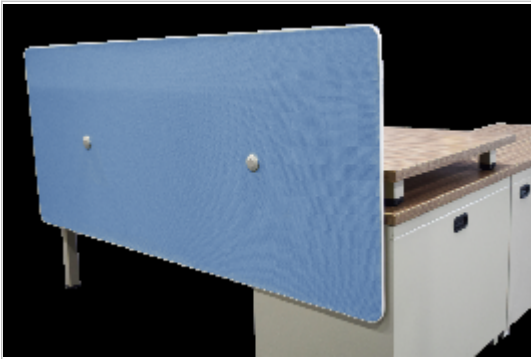
DRAWN BY ncorbo DRAWN DATE 05/29/2020

Part # 120-00003 PGHM-UT

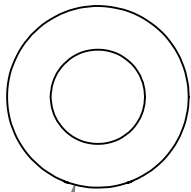
REVISION A

TITLE: 120-00003 PGHM-UT

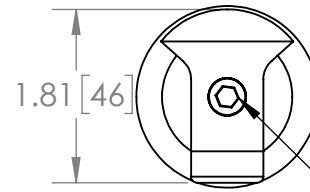
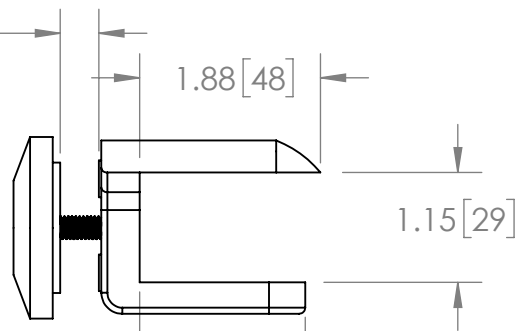
SHEET 1 OF 1



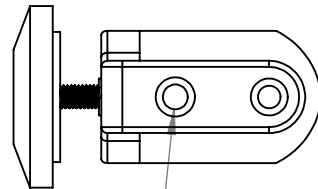
PANEL GRIP RANGE  
OF .25[6] TO .5[13]



Ø 1.89 [48]



5MM DRIVE  
CLAMPING SCREW



2X Ø .26 [7]

**NOTES:**

1. ALL DIMENSIONS SHOWN IN THE FORMAT INCHES[MM]
2. COMES READY TO ASSEMBLE.
3. AVAILABLE IN COLORS: BU, HF, LT, MS, MT AND WF.
4. INCLUDES 2 SCREWS TO ACHIEVE FULL CLAMPING RANGE.
5. INCLUDES 2 WOOD SCREWS TO MOUNT TO DESK SURFACE.
6. DESIGNED TO FIT WORK SURFACES 1-1/8" [29] THICK.



Open Plan Systems  
4700 Deepwater Terminal Rd  
Richmond, VA 23234  
p. 884.OPS.OPS1  
f. 804.275.2329

**PROPRIETARY AND CONFIDENTIAL:**  
The information contained in this drawing is the sole property of Open Plan Systems. Any reproduction or distribution, in part or as a whole, without the written permission of Open Plan Systems is prohibited.

REV	DATE	ECN	DESCRIPTION

UNLESS OTHERWISE NOTED, DEBUR AND BREAK ALL SHARP EDGES TOLERANCES:		APPROVED BY	APPROVAL DATE
.X +/- .063	[MM] +/- 1MM	NRM	03/10/2021
.XX +/- .031	ANGLES +/- 1°	DRAWN BY	DRAWN DATE
		NC	11/06/2020
Part #		REVISION	
DSH		A	
TITLE:		SHEET 1 OF 1	
120-00008 DSH			