

2X4 39H 6-PACK

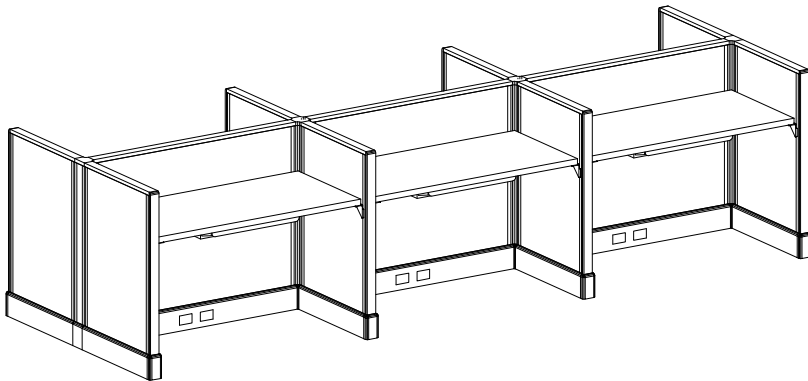
OPS2 PANEL SYSTEM TYPICAL



STATION SPECIFICATIONS

- OPS2 Panel System
- Monolithic panels
- 2' x 4' - 6-Pack
- 39" panel height
- Base feed power
- 2 power REC/station
- Power down the spine
- Pencil drawer

3D RENDERING



FINISHES



FABRIC
OPS Brown's Island

SURFACE & EDGE
White Nebula

PAINT
MT

PRICING

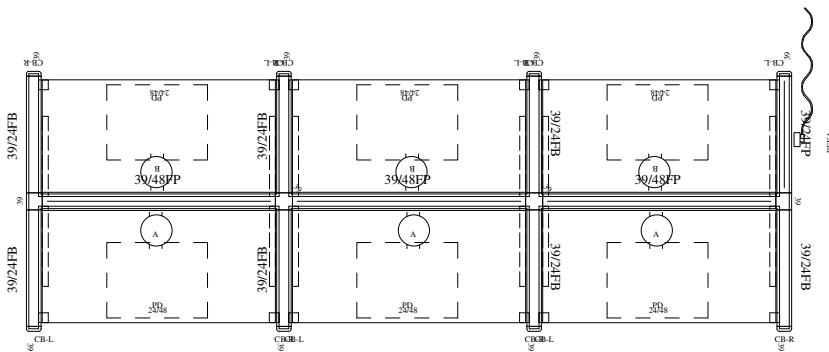
See next page for full BOM.

\$13,292.⁰⁰ LIST TOTAL

\$2,215.³³ PRICE PER STATION

Typical pricing is for reference only.
Pricing must be confirmed via official
Price Book or Customer Service.

3D PLAN LAYOUT



2D PLAN LAYOUT

2X4 39H 6-PACK

OPS2 PANEL SYSTEM TYPICAL



PRICING

Part Number	Part Description	Qty	List	Ext List
3WY39A2	39" - 3 WAY CONNECTOR	2	\$255.00	\$510.00
4WY39A2	39" - 4 WAY CONNECTOR	2	\$319.00	\$638.00
CRNRBR- LEFT	CORNER BRACKET (SPEC L OR R)	6	\$12.00	\$72.00
CRNRBR- RIGHT	CORNER BRACKET (SPEC L OR R)	6	\$12.00	\$72.00
EC39A2	39" END CAP	8	\$69.00	\$552.00
F3924	39 X 24 FABRIC PANEL - W/BASE	7	\$505.00	\$3,535.00
F3924P	39 X 24 FABRIC PANEL - POWERED	1	\$819.00	\$819.00
F3948P	39 X 48 FABRIC PANEL - POWERED	3	\$1,009.00	\$3,027.00
PDN	PENCIL DRAWER	6	\$115.00	\$690.00
PEK4 (L OR R)	4 CIR. BASE POWER ENTRY KIT	1	\$545.00	\$545.00
REC/A	A CIRCUIT DUPLEX RECEPTACLES	3	\$47.00	\$141.00
REC/B	B CIRCUIT DUPLEX RECEPTACLES	3	\$47.00	\$141.00
WS2448	24 X 48 WORK SURFACE	6	\$425.00	\$2,550.00

\$13,292.⁰⁰ LIST TOTAL

\$2,215.³³ PRICE PER STATION

Typical pricing is for reference only.
Pricing must be confirmed via official
Price Book or Customer Service.