

6X6 53H 6-PACK

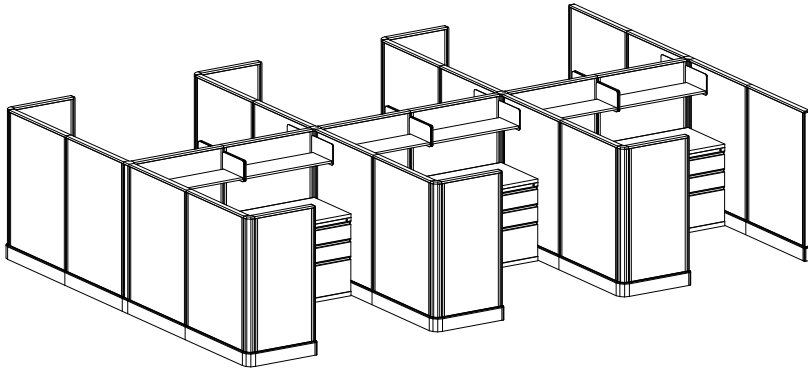
OPS2 PANEL SYSTEM TYPICAL



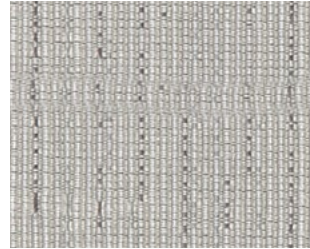
STATION SPECIFICATIONS

- OPS2 Panel System
- Monolithic panels
- 6' x 6' - 6-Pack
- 53" panel height
- Base feed power
- 2 power REC/station
- Power down the spine
- BBF-FP storage pedestal
- FF-FP storage pedestal
- Overhead open shelf unit

3D RENDERING



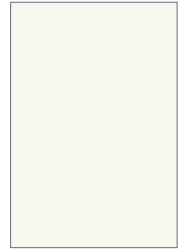
FINISHES



FABRIC
Axis Silver

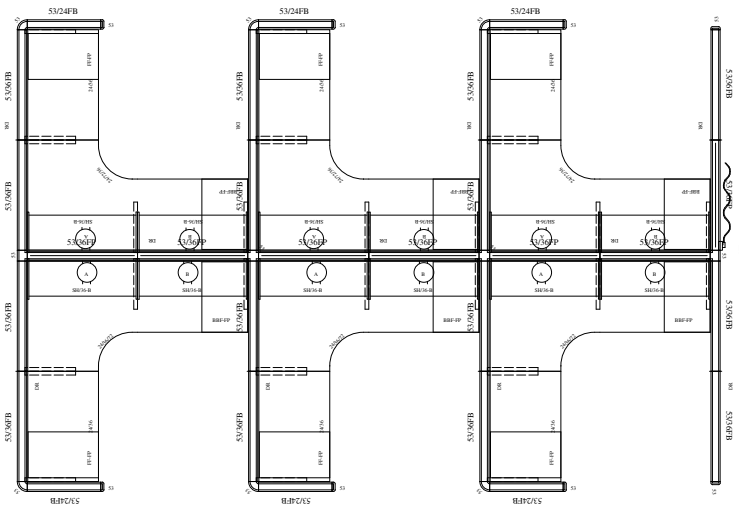


SURFACE & EDGE
Buka Bark



PAINT
WF

3D PLAN LAYOUT



2D PLAN LAYOUT

PRICING

See next page for full BOM.

\$45,860.⁰⁰ LIST TOTAL

\$7,643.³³ PRICE PER STATION

Typical pricing is for reference only.
Pricing must be confirmed via official
Price Book or Customer Service.

6X6 53H 6-PACK

OPS2 PANEL SYSTEM TYPICAL



PRICING

Part Number	Part Description	Qty	List	Ext List
2WY53A2	53" - 2 WAY CONNECTOR	6	\$165.00	\$990.00
3WY53A2	53" - 3 WAY CONNECTOR	2	\$289.00	\$578.00
4WY53A2	53" - 4 WAY CONNECTOR	2	\$359.00	\$718.00
BBF-FP	BOX/BOX/FILE PEDESTAL FULL PULL 23"D W/O TOP	6	\$829.00	\$4,974.00
EC53A2	53" END CAP	8	\$75.00	\$600.00
ECCWS362472L	36 X 24 X 72 CURVILINEAR CORNER SURFACE - LFT EXT	3	\$999.00	\$2,997.00
ECCWS362472R	36 X 24 X 72 CURVILINEAR CORNER SURFACE - RT EXT	3	\$999.00	\$2,997.00
F5324	53 X 24 FABRIC PANEL - W/BASE	6	\$545.00	\$3,270.00
F5336	53 X 36 FABRIC PANEL - W/BASE	15	\$719.00	\$10,785.00
F5336P	53 X 36 FABRIC PANEL - POWERED	7	\$1,039.00	\$7,273.00
FF-FP	FILE/FILE PEDESTAL FULL PULL 23"D W/OUT TOP	6	\$829.00	\$4,974.00
PEK4 (L OR R)	4 CIR. BASE POWER ENTRY KIT	1	\$545.00	\$545.00
PTP48	48" PANEL TO PANEL CONNECTOR	11	\$31.00	\$341.00
REC/A	A CIRCUIT DUPLEX RECEPTACLES	6	\$47.00	\$282.00
REC/B	B CIRCUIT DUPLEX RECEPTACLES	6	\$47.00	\$282.00
SHH3612B	36 X 12 HALF HEIGHT SHELF - B STYLE	12	\$165.00	\$1,980.00
WS2436	24 X 36 WORK SURFACE	6	\$379.00	\$2,274.00

\$45,860.00 LIST TOTAL

\$7,643.33 PRICE PER STATION

Typical pricing is for reference only.
Pricing must be confirmed via official
Price Book or Customer Service.